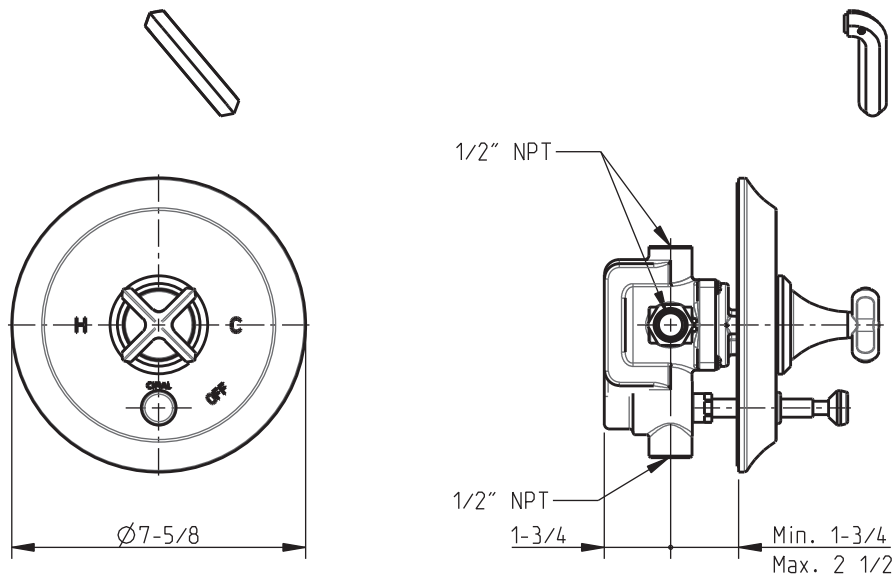


# TECHNICAL SPECIFICATIONS

## Hexa

Pressure balance mixing valve with integral diverter

code | 201 611 xxx  
202 611 xxx



Rough: 289 710 999 (sold separately)

5663630  
983HX001W01

dimensions inches

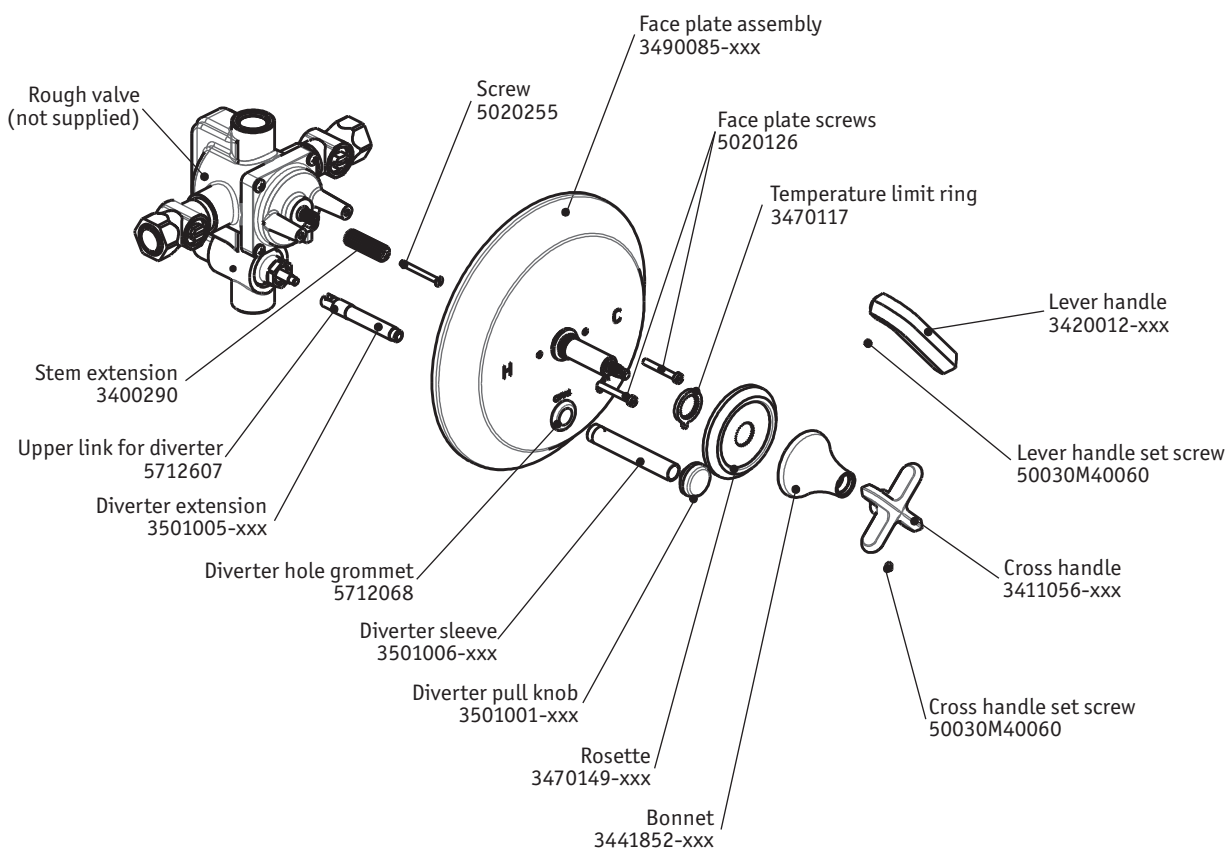
## PLUMBING



**CIFIAL USA**  
USA P+1800 5284904 F+1800 5281969 info@cifialusa.com www.cifialusa.com  
**CIFIAL Torneiras, S.A.**  
Portugal T+351 256 780 700 F+351 256 780 710 cifial@cifial.pt www.cifial.pt  
**CIFIALDECOR, S.A.**  
Espanha T+34 916 110 261 F+34 916 103 694 cifialdecor@infonegocio.com  
**CIFIAL UK, Ltd.**  
UK P+44 1933 402 008 F+44 1933 402 063 sales@cifial.co.uk www.cifial.co.uk

## Assembly instructions

- 1| Place **stem extension** onto valve stem using **screw**.
- 2| Insert **upper link for diverter / diverter extension** into body valve diverter spindle.
- 3| Thread **diverter sleeve** into **pressure balance rough valve**.
- 4| Slide **face plate assembly** into place and engage **stem extension** using **face plate screws**.
- 5| Set high temperature limit stop by turning handle drive shaft counter clockwise until desired maximum temperature is reached. Place **temperature limit ring** onto handle drive shaft with arm set next to limit stop pin. Turn handle drive shaft clockwise to shut off valve.
- 6| Place **rosette** onto handle drive shaft and align mark with OFF position. Thread **bonnet** into drive shaft.
- 7| Align **lever handle** with OFF position and tight with **set screw**.
- 8| Thread **diverter pull knob** into **diverter extension**.



5663630  
983HX001W01

**Note:** xxx represent different finishes.