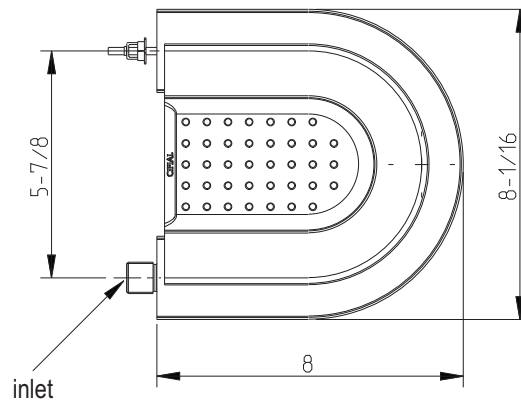
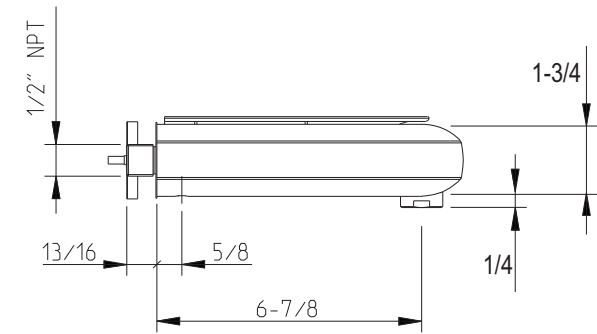
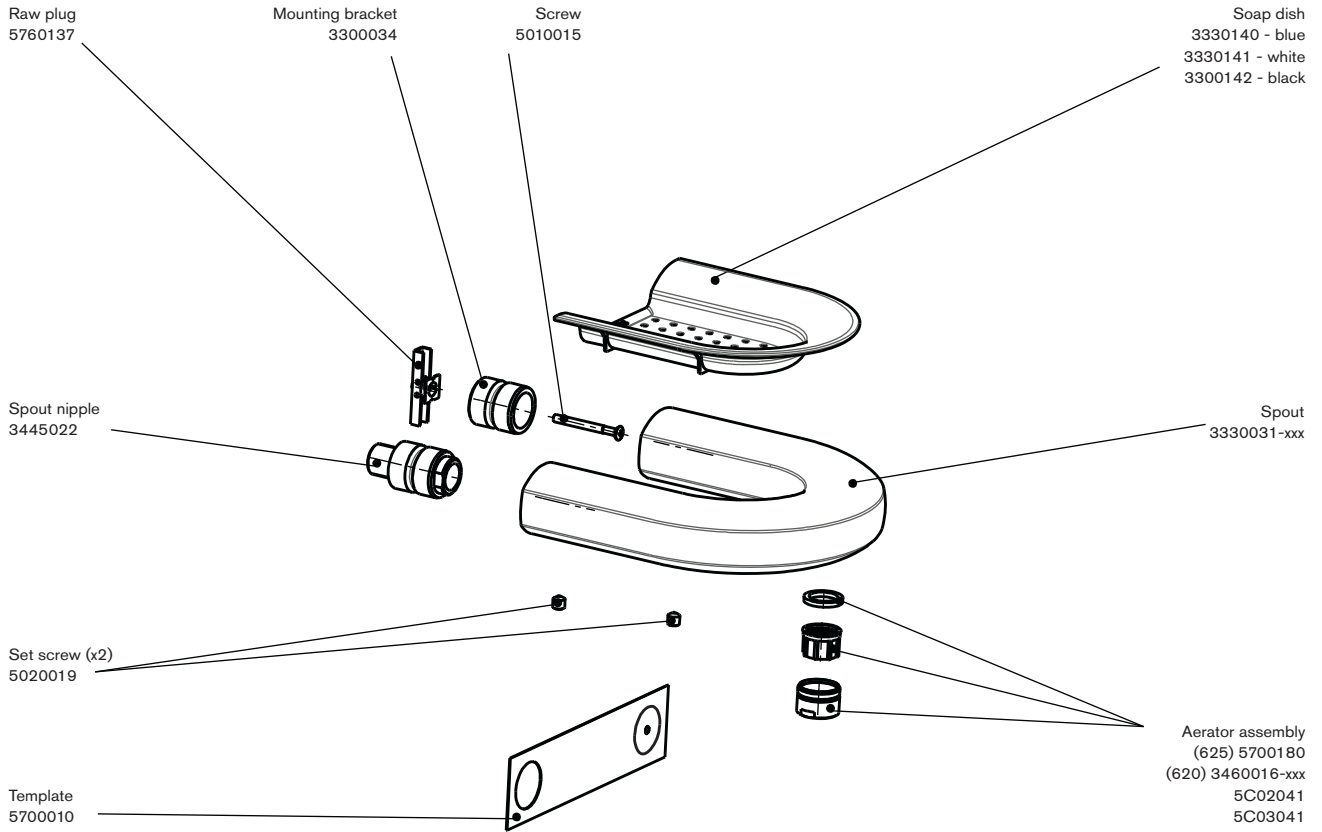


# Techno

## Spout with soap dish





## installation

Use the supplied template to mount the spout. First thread the 1/2" nipple. Insert on the nipple the hole on the left side of the template, level and mark the position for the raw plug by the right hand of the template. Drill and insert the raw plug and mount the bracket using the screw without tightening it. Open the hole on the right side of the template, taking off the perforated circle. Insert once again the template with one of the holes on the nipple and the other on the mounting bracket. Tight definitively the mounting bracket. Remove the template, mount the spout and tight it with the correspondent set screws.