

Technical Instructions

Description ■

The VisuGuard LCD T/P series automatically mixes hot and cold water to deliver blended water within a specified range. Powerful advanced thermal actuator quickly compensates for both temperature and pressure fluctuation. In the event of cold water failure, the thermostatic actuator virtually shuts off the flow of hot water. The VisuGuard LCD T/P meets the most stringent performance defined in ASSE 1016 Type T/P standard. The VisuGuard LCD T/P comes complete with battery operated LCD temperature display in Fahrenheit or Celsius for use in bath & shower applications.

Battery and temperature display are housed in an easy-access, watertight enclosure. The accuracy and reliability of the F727 & C727 VisuGuard LCD T/P make it preferable for applications that require precise, consistent water control for showers, baths, hospital hydrotherapy and residential areas. Both the F727 & C727 VisuGuard LCD T/P meet the American with Disabilities Act (ADA).



Advanced Thermal Activation

Specifications ■

Valve Construction	Heavy cast bronze body and brass stem
Connections	1/2" (15mm) Sweat inlets and outlets
Capacity.....	4.0 gpm (15.0 lpm) @ 50/50 mix
High Temperature Limit Stop.....	Adjustable (factory set at 110°F (43°C))
Maximum Operating Pressure.....	125psi (861 kPa)
Max. Hot Water Temperature	190°F (88°C)
Minimum Hot Water Supply Temperature (Approach Temperature).....	10°F (5.5°C) above set point
Temperature Adjustment Range (for +/- 3°F performance).....	ASSE 1016 Type T/P 90 - 110°F (32 - 43°C) ASSE 1016 Type T 80 - 120°F (27 - 49°C))
Maximum Static Pressure.....	125psi (861 kPa)
Minimum Flow	0.5 gpm (3.78 lpm)
Temperature Display.....	1/2" (13 mm) LCD Display accurate to 1/10 of a degree
Temperature Range	58 to 158°F (14 to 70°C)
Battery	AAA alkaline
Approval Standards	CSA B125.1, ASSE 1016 T/P, ASME A112.18.1
Listing.....	ASSE 1016 T/P, IAPMO-cUPC

NOTE:

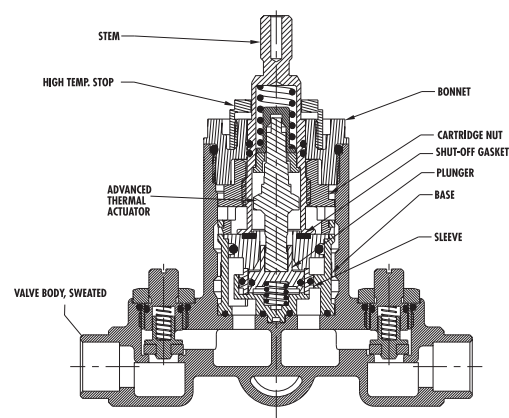
- 1) Set point cannot be less than the cold water temperature. For best operation, hot and cold water should be at least 10°F (5.5°C) from desired set point.
- 2) All F727 and C727 VisuGuard LCD T/P combination mixing valves meet above performance specifications based on typical operating conditions as stated in ASSE 1016 standard.
- 3) If your operating conditions vary from the standard, performance may vary as well. Consult your sales representative or Powers' Technical Support @ 800.669.5430 to discuss your specific application.

Operation ■

Hot and cold water enter respective ports in the valve and mix in a chamber containing an advanced thermal actuator (see Figure 1). This actuator controls the position of the plunger and temperature. Rotating the handle repositions the plunger in the cartridge assembly to produce the desired temperature. The mixed water passes over the shutoff disc to the outlet. If the hot or cold supply water pressure or temperature changes, the thermal actuator will contract or expand. The movement repositions the plunger to maintain the desired temperature.

A high temperature limit stop restricts the movement of the handle. All F727 & C727 VisuGuard LCD T/P valves are factory set to deliver tempered water up to 110°F (43°C) with equal pressure, with hot water temperature 140°F (60°C) and cold water temperature 60°F (16°C).

Figure 1



⚠ WARNING

FAILURE TO COMPLY WITH PROPER INSTALLATION AND MAINTENANCE INSTRUCTIONS COULD CONTRIBUTE TO THE VALVE FAILURE, RESULTING IN INJURY AND/OR DEATH. TO ENSURE THE ACCURATE AND RELIABLE OPERATION OF THIS PRODUCT, IT IS ESSENTIAL TO:

- Properly size each valve based on the individual application.
- Properly design the recirculation system to minimize pressure and temperature variations.
- Conduct an annual maintenance program to ensure proper operation of all critical components.
- Check outlet temperature to ensure it does not exceed 110°F (43°C). Make sure temperature limit stop is properly re-set to maximum 110°F (43°C) following valve maintenance or repair. Tampering with limit stop in any way may result in scalding temperature causing serious bodily harm and/or death.

Periodic Inspection: Corrosive water conditions, temperatures over 210°F, unauthorized adjustments or repair could render the valve ineffective for the service intended. Regular checking and cleaning of the valve's internal components and checkstops helps assure maximum life and proper product function.

Installation Instructions ■

1. Flush all piping before installation
2. Installation and field adjustment are the responsibility of the installer and shall be carried out in accordance to the following steps.
3. Position mixer 1-5/8" +/- 1/4" (41mm +/- 6mm) from inlet center of finish valve surface. The tub outlet port is marked "TUB" and should face down. Facing front of the mixer, connect hot water to left side and cold water to right side. The valve has "C" and "H" cast into the body at the appropriate inlets ports. **CAUTION: When soldering during installation process, do not heat the valve any higher than the temperature required to flow solder. Excessive overheating of the valve may cause damage to the cartridge and the checkstop internals. If either brazing or resistance (electric) solder is to be used, all valve and checkstop internals must be removed.**
4. Valve is factory-set for standard inlets. If reversed inlets are required due to back-to-back installation (cold water supply on the left and hot water supply on the right), follow instructions 1 to 5 below:
 - 1) Connect cold inlet to hot port (H) and hot inlet to cold port (C).
Note: Do not turn valve upside down, water will not flow properly through tub spout or showerhead.
 - 2) Turn water off with checkstops, remove bonnet and cartridge.
 - 3) Reinstall cartridge. "H" on the cold side of the valve body and "C" should be on the hot side of the valve body.
 - 4) Reinstall bonnet with the high temperature limit stop on it.
Note: Be certain that valve opens in full cold.
 - 5) Hot and cold inlets should be re-identified for reversed inlets to avoid confusion during future maintenance.
5. See Figure 2, for proper piping arrangement.
6. For both shower only and shower/tub arrangements, top outlet "S" is plugged.

Thermistor Assembly

7. Locate and insert the thermistor (temperature probe) into the supplied compression outlet. See Figure 3 for the probe depth. Improper installation of depth probe can result in imprecise temperature readings. Firmly tighten to prevent leakage. Do not hang trim plate on wall using temperature probe wire as this could cause damage to probe. Pressurize and test the system to verify zero leakage.
8. When piping installation is completed and before doing the finished

Figure 2

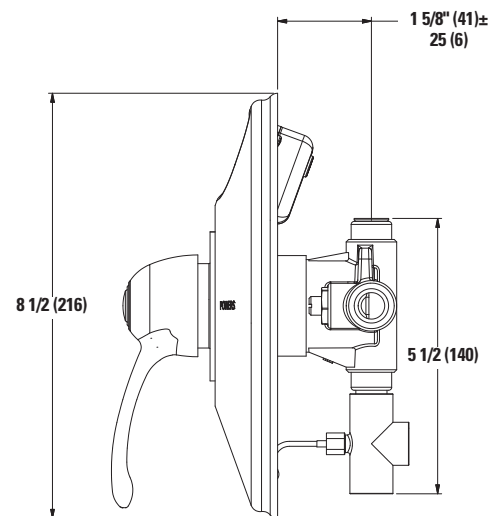
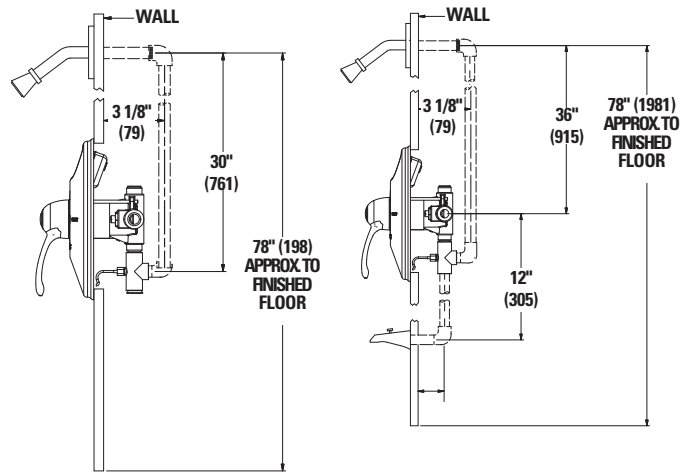
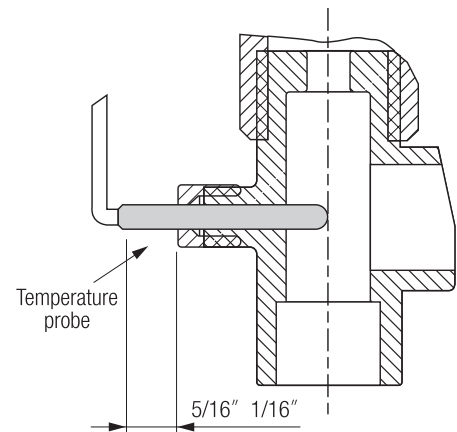


Figure 3



Installation Instructions (Cont.) ■

wall, slide rough-in guide on to the valve stem and press fit into place (Figure 4). The rough-in guide will ensure the proper size opening for valve, shutting off checkstops and and repair accessibility.

9. Attach indicator gasket to the back of the trim plate making sure diagonal holes on the gasket matches diagonal holes on the trim plate and locator hole matches the top hole on the trim plate. Peel off backing of the trim plate gasket and attach to the inside top edge of the trim plate.

10. Install trim plate.

11. Maximum Temperature Setting

Maximum temperature setting adjustment (see Figure 5) must be set on the job and in no case it should be greater than 110°F (43°C). The high temperature limit stop is located on the bonnet. Rotate handle to the maximum desired outlet temperature. With an open-end wrench, screw high temperature limit stop into the bonnet until it touches stem's shoulder. Close valve and open it to full hot position to verify setting.

12. Snap on the indicator plate. Guide on the back of the plate goes into the locator hole.

13. Install sleeve O-ring on the bonnet. Slide sleeve on the bonnet.

CAUTION: Indicator plate must be installed before sleeve.

14. Install handle and tighten the setscrew.

Figure 4

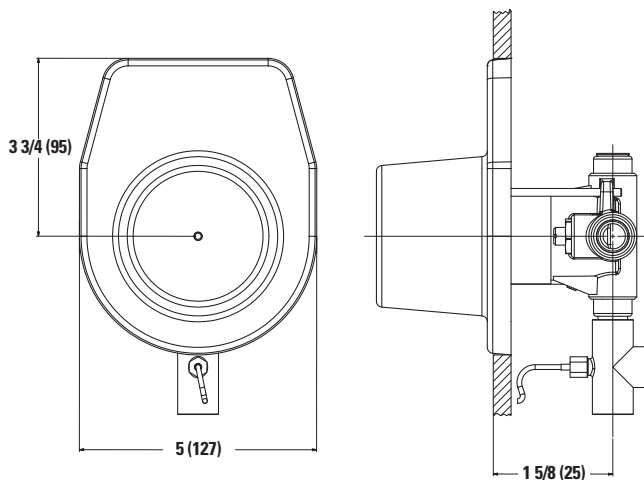
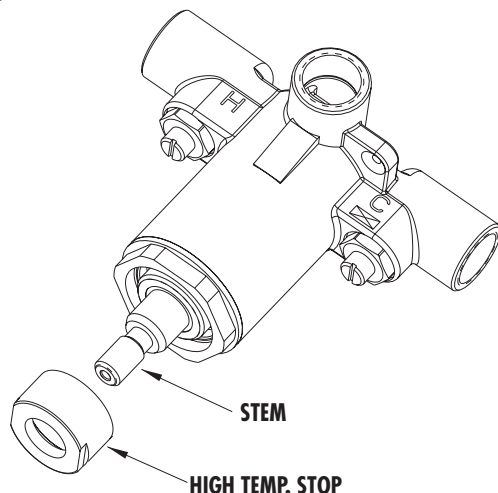


Figure 5



Preventative Maintenance ■

NOTE: Before servicing checkstops, always turn off the upstream water supply. When servicing valve, turn off water supply upstream or close the checkstops.

Every Three Months:

1. Check the maximum temperature setting. Refer to Step 11 of installation instruction section.

Every Twelve Months

1. Open up the checkstops and check for the free movement of the poppet. To access the checkstop, remove the handle and trim plate.
2. Remove the valve bonnet and rinse all grit and impurities from the cartridge.

Winterize valves that are used outdoors. Remove and store the internal components and drain all water from the valve.

Safety Guidelines ■

Adherence to these guidelines and recommendations promotes safe product use and ensures proper valve performance.

1. Thermostatic valves are control devices which must be cleaned and maintained on a regular basis. Powers specifies periodic maintenance at least once a year or immediately after any changes are made to the plumbing system. Annual cleaning is recommended, however, frequency of cleaning depends on quality of local water conditions.
2. The high temperature limit stop setting must be adjusted to limit the distance the user can rotate the handle towards the full hot water position.

Troubleshooting ■

What to look for if:

- **The maximum temperature cannot be obtained:**

- 1) Lime deposits may have accumulated in the hot water pipes, restricting the hot water supply.
- 2) The hot water supply temperature may be too low.
- 3) The temperature limit stop may be set too low. Remove handle and re-adjust temperature limit stop (refer to step 9 of installation instruction section).

- **Flow of water is less than desired:**

- 1) The upstream supply valves may not be fully open.
- 2) The inlet supply pressure(s) may be low.
- 3) The showerhead may be clogged.

- **The valve opens with hot water flow rather than cold water flow:**

- 1) The inlet water supplies are connected to the wrong ports or cartridge is installed improperly (see section on reversed inlets).

The tempered water is too cold, although cartridge has been replaced, or the hot water temperature is below 115°F:

- 1) Raise the temperature of the hot water supply.

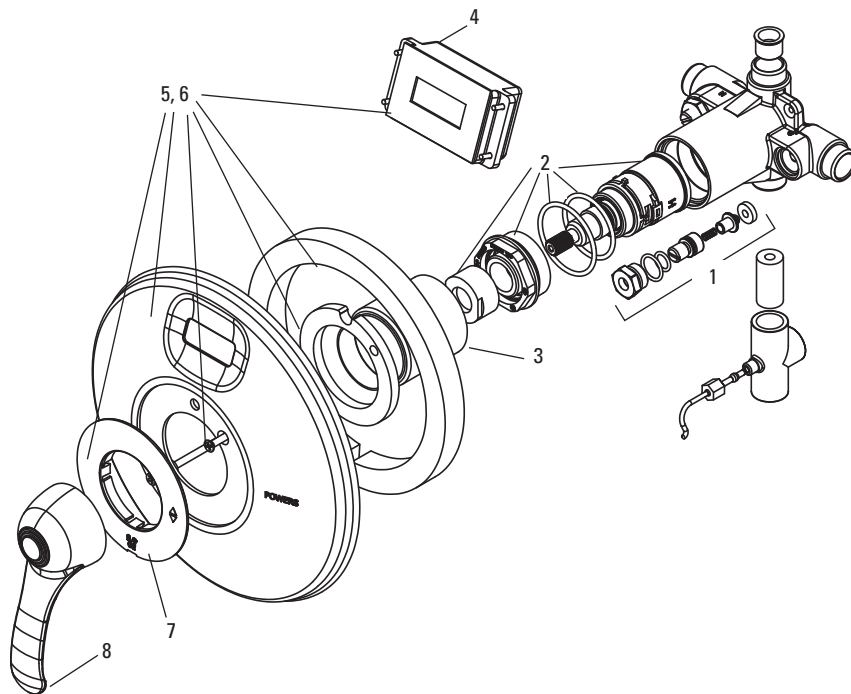
Flow of water is completely shut off:

- 1) The upstream supply valve may be completely closed.
- 2) The hot or cold water pressure may be failed. The valve is designed to close down upon cold water supply pressure failure.
- 3) The checkstops may be closed. Open checkstops by turning the adjustment screw fully counterclockwise.

Temperature does not display:

- 1) Replace battery

Parts List ■



Index	Description	Part #
1	Checkstop Kit	900 050
2	Cartridge Kit	220 060
3	Sleeve Kit	220 054
4	LCD Kit	727 013
5	Trim Plate & LCD Kit, Fahrenheit	727 014
6	Trim Plate & LCD Kit, Celsius	727014C
7	Trim Plate Cover	220 076
8	Handle Kit	220 079

CALIFORNIA PROPOSITION 65 WARNING

WARNING: This product contains chemicals known to the State of California to cause cancer and birth defects or other reproductive harm. (California law requires this warning to be given to customers in the State of California.)

For more information: www.watts.com/prop65

Warranty ■

The Seller warrants that the equipment manufactured by it and covered by this order or contract is free from defects in material and workmanship and, without charge, equipment found to be defective in material or workmanship will be repaired, or at Seller's option replaced F.O.B. original point of shipment, if written notice of failure is received by Seller within one (1) year after date of shipment (unless specifically noted elsewhere), provided said equipment has been properly installed, operated in accordance with the Seller's instructions, and provided such defects are not due to abuse or decomposition by chemical or galvanic action. THIS EXPRESS WARRANTY IS IN LIEU OF AND EXCLUDES ALL OTHER WARRANTIES, GUARANTEES, OR REPRESENTATIONS, EXPRESS OR IMPLIED. THERE ARE NO IMPLIED WARRANTIES OF MERCHANTABILITY OR OF FITNESS FOR A PARTICULAR PURPOSE. The Seller assumes no responsibility for repairs made on the Seller's equipment unless done by the Seller's authorized personnel, or by written authority from the Seller. The Seller makes no guarantee with respect to material not manufactured by it.

POWERS™

a division of Watts Water Technologies, Inc.

**ISO 9001-2000
CERTIFIED**

USA: Phone: 1.800.669.5430 • Fax 1.847.229.0526 • www.powerscontrols.com

Canada: Phone: 1.888.208.8927 • Fax 1.888.479.2887 • www.powerscontrols.ca