



For ordering information,  
please visit:  
www.chicagofaucetshoppe.com  
(800) 969-8625

## C-134/234 Freezeless Wall Hydrant

*Original Heavy Duty Style*



- Residential
- Freezeless



Application

Prier C-134 provides a year round source of water to areas of structures that are subject to freezing temperatures. The hydrant valve is connected to the supply piping in the heated portion of the structure, eliminating the possibility of freezing. Ordering the C-234 gives you the same style hydrant but with a vandalproof extended lockshield with operating key.

The Prier C-134 is the original freezeless hydrant that is made in the same heavy pattern fashion that made it famous. It is available from stock in lengths from Close Coupled to 24", longer sizes are available on request.

Features

- Integral Cast Flange with built-in drainage pitch
- Enclosed screwholes easily secure mounting screws
- Solid Brass Body, Valve Stem Cap, Seat and Stem Ends
- Satin Nickel Plated Body maintains nice finish indefinitely
- Stainless Steel Seat Washer Screw & Handle Screw
- Powder Coated Cast Aluminum Handle
- Full Circle ACME Threads secure Stem and Seat End
- Lock Shield Cap for stronger valve design
- AFG Teflon with Graphite Packing for easy maintenance
- Standard "OO" Size Seat Washer
- Recessed Spout Aligning Lug

Ordering

# C-134D10

**Operator**  
1-Handle Operated  
2-Vandalproof Lockshield

**Inlet**  
D-1/2" MPT x 1/2" SWT  
F-3/4" MPT x 3/4" SWT  
K-1/2" Kitec Pex  
R-1/2" Everloc by Rehau  
T-3/4" MPT x 1/2" FPT  
W-1/2" Wirsbo Pex  
X-1/2" Crimp Pex

**Length**  
CC-Close Coupled  
04-4" Insertion  
06-6" Insertion  
08-8" Insertion  
10-10" Insertion  
12-12" Insertion  
14-14" Insertion  
18-18" Insertion  
24-24" Insertion  
XX-Special Size

Inlet Styles

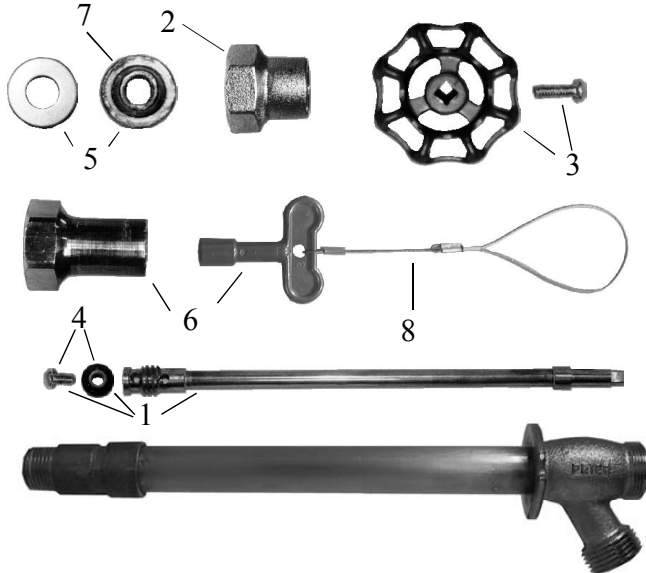
<b>D Style</b> 1/2" MPT x 1/2" SWT	
<b>F Style</b> 3/4" Female SWT	
<b>K Style</b> 1/2" Kitec Pex	
<b>R Style</b> 1/2" Everloc by Rehau	
<b>T Style</b> 3/4" MPT x 1/2" FPT	
<b>W Style</b> 1/2" Wirsbo Pex	
<b>X Style</b> 1/2" PEX	

For ordering information,  
Please visit:  
www.chicagofaucetshoppe.com  
(800) 969-8625



# C-134/234

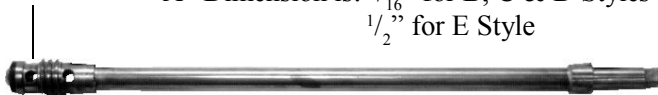
## Parts for C-134/234 Freezeless Wall Hydrants



ID	Part No.	Description
1,4	Stem Assembly	See Chart Below
2	300-1008	Valve Stem Cap
3	C-134K T-805	Oval Handle & Screw Kit
4	C-134K T-802	Seat Washer (OO Beveled) Replacement Kit
5	C-134K T-803	Stem Packing Replacement Kit
5,6	C-134K T-804	Loose Key Conversion Kit
7	390-1001	Stem Packing Only
8	C-108K T-808	Oval Style Key on Lanyard
3,4,5	C-134K T-807	C-134 Overhaul Kit

## Replacement Stems for C-134/234 Hydrants

"A" Dimension "A" Dimension is:  $\frac{9}{16}$ " for B, C & D Styles  
 $\frac{1}{2}$ " for E Style



- A Style**-Obsolete, available from approximately 1945-1954
- B Style**-Available from approximately 1954-1961
- C Style**-Available from approximately 1961-1963
- D Style**-Available from approximately 1963-1972
- E Style**-Available from approximately 1972-Present

### C-134 Nominal Stem Length

	CC	4"	6"	8"	10"	12"	14"
<b>B</b>	n/a	8 $\frac{1}{16}$ "	10 $\frac{1}{16}$ "	12 $\frac{1}{16}$ "	14 $\frac{1}{16}$ "	16 $\frac{1}{16}$ "	18 $\frac{1}{16}$ "
<b>C</b>	n/a	7 $\frac{1}{16}$ "	9 $\frac{1}{16}$ "	11 $\frac{1}{16}$ "	13 $\frac{1}{16}$ "	15 $\frac{1}{16}$ "	17 $\frac{1}{16}$ "
<b>D</b>	n/a	7 $\frac{5}{8}$ "	9 $\frac{5}{8}$ "	11 $\frac{5}{8}$ "	13 $\frac{5}{8}$ "	15 $\frac{5}{8}$ "	17 $\frac{5}{8}$ "
<b>E</b>	5 $\frac{1}{16}$ "	7 $\frac{9}{16}$ "	9 $\frac{9}{16}$ "	11 $\frac{9}{16}$ "	13 $\frac{9}{16}$ "	15 $\frac{9}{16}$ "	17 $\frac{9}{16}$ "

Prier Universal Stems are replacement stems for any size from 4" to 14". They require cutting the rod to proper length and soldering the brass stem end to the rod as directed in instructions.

Part No.	Style	Description	Part No.	Style	Description
C-134BS04	B	4" B Style Stem for C-134 8 $\frac{1}{16}$ " OAL	C-134DS06	D	6" D Style Stem for C-134 9 $\frac{5}{8}$ " OAL
C-134BS06	B	6" B Style Stem for C-134 10 $\frac{1}{16}$ " OAL	C-134DS08	D	8" D Style Stem for C-134 11 $\frac{5}{8}$ " OAL
C-134BS08	B	8" B Style Stem for C-134 12 $\frac{1}{16}$ " OAL	C-134DS10	D	10" D Style Stem for C-134 13 $\frac{5}{8}$ " OAL
C-134BS10	B	10" B Style Stem for C-134 14 $\frac{1}{16}$ " OAL	C-134DS12	D	12" D Style Stem for C-134 15 $\frac{5}{8}$ " OAL
C-134BS12	B	12" B Style Stem for C-134 16 $\frac{1}{16}$ " OAL	C-134DS14	D	14" D Style Stem for C-134 17 $\frac{5}{8}$ " OAL
C-134BS14	B	14" B Style Stem for C-134 18 $\frac{1}{16}$ " OAL	231-01CC	E	CC E Style Stem for C-134 5 $\frac{1}{16}$ " OAL
C-134CS04	C	4" C Style Stem for C-134 7 $\frac{1}{16}$ " OAL	231-0104	E	4" E Style Stem for C-134 7 $\frac{9}{16}$ " OAL
C-134CS06	C	6" C Style Stem for C-134 9 $\frac{1}{16}$ " OAL	231-0106	E	6" E Style Stem for C-134 9 $\frac{9}{16}$ " OAL
C-134CS08	C	8" C Style Stem for C-134 11 $\frac{1}{16}$ " OAL	231-0108	E	8" E Style Stem for C-134 11 $\frac{9}{16}$ " OAL
C-134CS10	C	10" C Style Stem for C-134 13 $\frac{1}{16}$ " OAL	231-0110	E	10" E Style Stem for C-134 13 $\frac{9}{16}$ " OAL
C-134CS12	C	12" C Style Stem for C-134 15 $\frac{1}{16}$ " OAL	231-0112	E	12" E Style Stem for C-134 15 $\frac{9}{16}$ " OAL
C-134CS14	C	14" C Style Stem for C-134 17 $\frac{1}{16}$ " OAL	231-0114	E	14" E Style Stem for C-134 17 $\frac{9}{16}$ " OAL
C-134US	B,C,D	Universal Stem for B, C, D Styles	231-01US	E	Universal Stem for E Style
C-134DS04	D	4" D Style Stem for C-134 7 $\frac{5}{8}$ " OAL			