



4515 East 139th Street  
 Grandview, MO 64030  
 800-362-9055  
 Fax 800-362-1463  
[www.PRIER.com](http://www.PRIER.com)

## C-434 Heavy Residential Wall Hydrant

with P-004 Vacuum Breaker & Dual Backflow Preventor



- Residential
- Freezeless
- ASSE 1052 Approved
- Anti-Siphon
- Two Backflow Check Valves
- Self Draining



Application

The Prier C-434 provides a year round source of water to areas of structures that are subject to freezing temperatures. The hydrant valve is connected to the supply piping in the heated portion of the structure, eliminating the possibility of freezing. To assure freeze protection, the hydrant will drain even with the hose attached and under pressure without sprayback!

The C-434 combines Freezeless Hydrant features with self-draining, anti-siphon and two backflow check valves! The vacuum breaker/backflow preventor provides protection against cross-connection of the potable water supply, while venting to eliminate any vacuum. Upon closure, valve drains even with closed end hose attached. No special installation tools are required.

Features

- C-434 Hydrant features P-004 ASSE 1052 approved double check valve and vacuum breaker
- Drains automatically with hose attached & under pressure to prevent pipes from freezing and bursting without sprayback
- Downward pitch is built into hydrant, ensuring proper installation.
- All cast brass construction, solid cast brass seat, body and cap
- Satin Nickel plated body and cap
- Solid brass stem ends use large diameter long wearing ACME Threads
- Stem packing and handle assembly are identical to Prier's C-134 Design
- Compact Design handle is positioned to prevent interference between hose and operators hand
- Metal collar covers drainage holes and protects user from sprayback while closing under pressure
- Multiple vent holes ensure proper draining
- Cycle tested to simulate 25 years minimum service
- Patent protected.

Materials

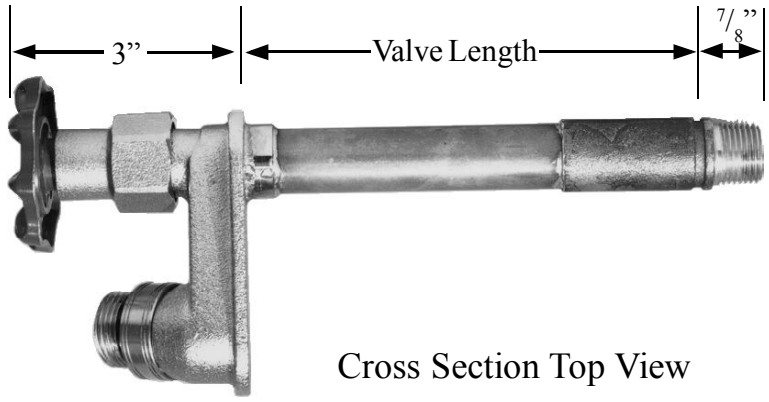
<b>Brass</b>	Body, Stem Ends (2), Seat, Valve Stem Cap
<b>Hard Copper</b>	Operating Stem, Shaft
<b>Teflon w/Graphite</b>	Packing
<b>EPDM</b>	Drain Seal Washer, Triple Seal Stopper
<b>Silicone</b>	Vacuum Breaker Washer
<b>Acetal</b>	Vacuum Breaker Check Spider
<b>Stainless Steel</b>	Handle Screw & Seat Pin
<b>Aluminum</b>	Operating Handle



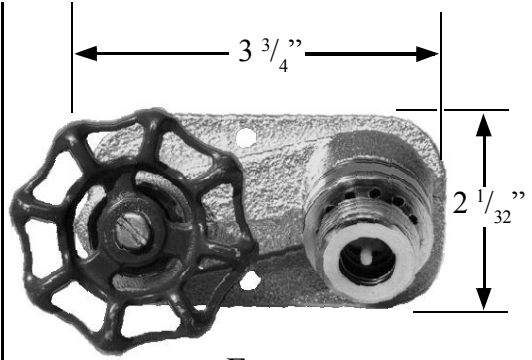
4515 East 139th Street  
Grandview, MO 64030  
800-362-9055  
Fax 800-362-1463

# C-434

Dimensions



Cross Section Top View



Front

Ordering

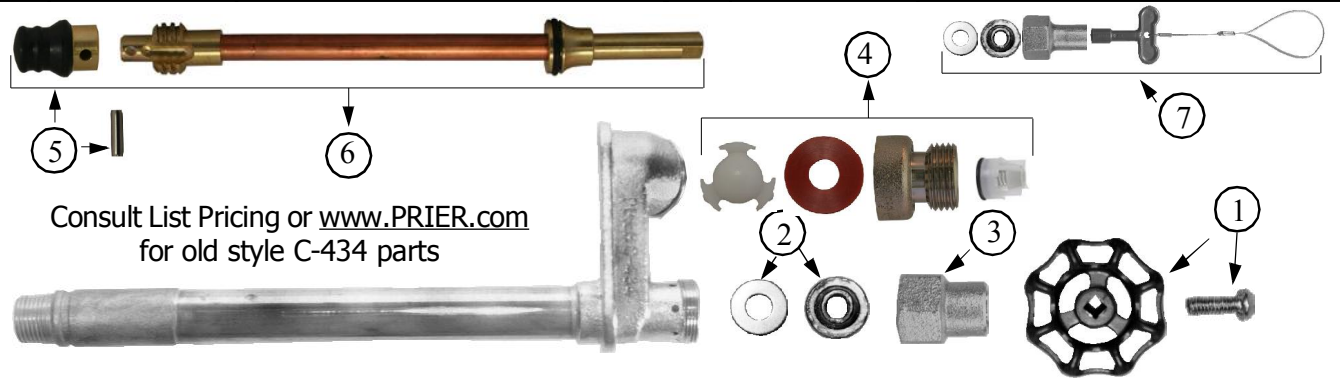
## C-434D10

- Inlet**
- D-1/2" MPT x 1/2" SWT
  - F-3/4" MPT x 3/4" SWT
  - K-1/2" Kitec Pex
  - R-1/2" Everloc by Rehau
  - T-3/4" MPT x 1/2" FPT
  - W-1/2" Wirsbo Pex
  - X-1/2" Crimp Pex
- Length**
- CC-Close Coupled
  - 04-4" Insertion
  - 06-6" Insertion
  - 08-8" Insertion
  - 10-10" Insertion
  - 12-12" Insertion
  - 14-14" Insertion
  - 18-18" Insertion
  - 24-24" Insertion
  - XX-Special Size

<b>D Style</b> 1/2" MIP x 1/2" SWT		<b>T Style</b> 3/4" MIP x 1/2" FPT	
<b>F Style</b> 3/4" MIP x 3/4" SWT		<b>W Style</b> 1/2" Wirsbo Pex	
<b>K Style</b> 1/2" Kitec Pex		<b>X Style</b> 1/2" PEX	
<b>R Style</b> 1/2" Everloc by Rehau			

Parts

ID	Part Number	Description	ID	Part Number	Description
1	C-134KT-805	Operating Handle & Screw Kit	6	231-0406	Stem for 6" C-434/534 ~8.75" OAL
2	C-134KT-803	Stem Packing & Washer Kit		231-0408	Stem for 8" C-434/534 ~10.75" OAL
3	300-1011	Valve Stem Cap for C-434		231-0410	Stem for 10" C-434/534 ~12.75" OAL
4	C-434KT-906	Vacuum Breaker Repair Kit		231-0412	Stem for 12" C-434/534 ~14.75" OAL
5	C-434KT-902	Stopper & Pin Kit (with tool)		231-0414	Stem for 14" C-434/534 ~16.75" OAL
1-5	C-434KT-907	Overhaul Kit for C-434		231-0418	Stem for 18" C-434/534 ~20.75" OAL
6	231-04CC	Stem for CC C-434/534 ~4.75" OAL		231-0424	Stem for 24" C-434/534 ~26.75" OAL
	231-0404	Stem for 4" C-434/534 ~6.75" OAL	7	C-434KT-804	Conversion Kit to Loose Key C-534



Consult List Pricing or [www.PRIER.com](http://www.PRIER.com)  
for old style C-434 parts