

Product Specification

Description ■

The Series PB410 Hydroguard® is a pressure-compensating mixer, which delivers a predetermined water temperature, compensating for pressure fluctuations in the hot or cold water supplies.

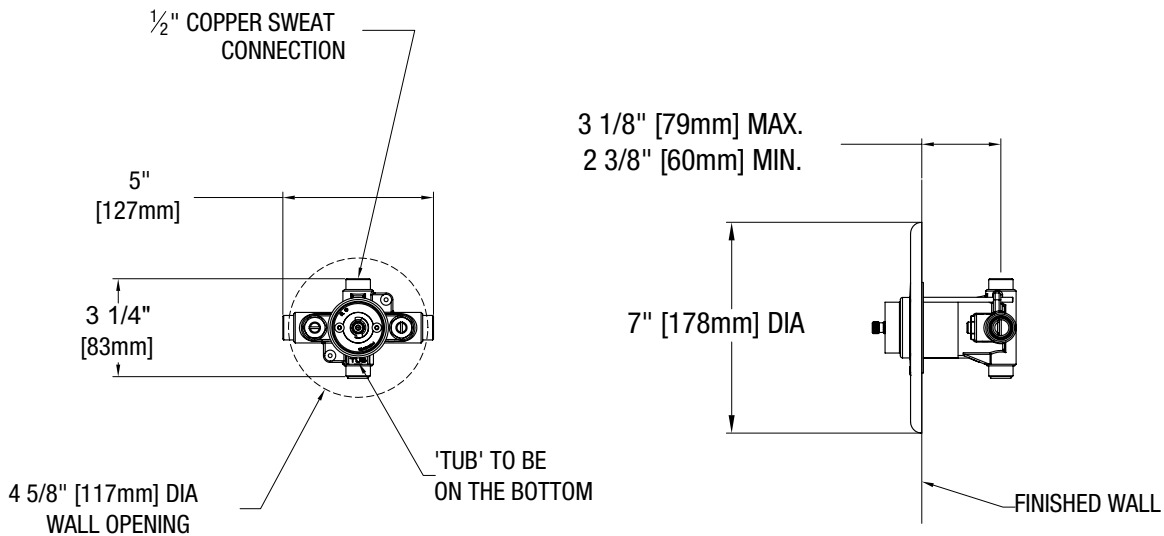
The Series PB410 Hydroguard® features heavy, cast-brass construction, a poppet-type equalizing valve as part of a replaceable cartridge. The poppet-type construction offers a distinct advantage; it will not stick because of lime build-up or foreign particles in the supplies. The adjustable metal-to-metal temperature limit stop prevents accidental scalding caused by over adjustment of the handle. It also features integral checkstops, back-to-back and shallow wall installation. PB413 and PB417 valves and shower systems can be selected to meet the Americans with Disabilities Act (ADA). (See back page for details.)



Model PB413000000

Specifications ■

- Connections: 1/2" Sweat Inlets/Outlets
- Capacity: 5.0 gpm (19 l/min.)
- Maximum Hot Water Supply Temperature: 190°F (88°C)
- Maximum Static Pressure: 125 psig (862 kPa)
- Maximum Operating Pressure: 125 psig (862 kPa)
- High Temperature Limit Stop: Metal to Metal, Adjustable
- Certification: CSA B125
- Listing: ASSE 1016
- Shipping Weight: 4.5 lbs. (2.0 kg)



Specification for Shower and Tub/Shower Systems — For Series PB410 Valves ■

To order complete Series 410 systems...

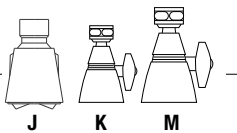


Valves

- 3 port valve w/plug **PB413**
- 4 port valve **PB417**

Showerheads

- Economizer, Chrome-Plated ABS, Adjustable **J**
- Standard, Chrome-Plated Brass **K**
- Deluxe, Chrome-Plated Brass **M**
- Low Flow (1.6 gpm) Chrome-Plated **G**
- Low Flow (1.5 gpm) Chrome-Plated **H**



Arm and Flange Kits

- Standard Arm and Flange **1**
- Deluxe Arm and Flange **2**
- Standard Arm/Flange & High Temp. Shutoff **4**
- Deluxe Arm/Flange & High Temp. Shutoff **5**

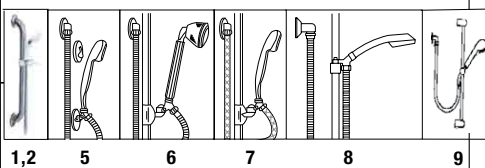
Tub Spouts

- Diverter, Chrome-Plated Brass, 3/4" IPS **Q**
- Non-Diverter, Chrome-Plated, 1/2" IPS **R**
- Diverter, Chrome-Plated, 1/2" IPS **S**
- Diverter, Chrome-Plated Brass, 1/2" IPS **T**
- Diverter, Chrome-Plated, 1/2" Slip-fit **U**



Hand Shower Systems

- 24" Chrome ADA Wall Grab Bar System **1**
- 36" Chrome ADA Wall Grab Bar System **2**
- Deluxe, Metal Hose, 30" Slide Bar **3**
- Professional, Vinyl Hose, 30" Slide Bar **4**
- Standard, Metal Hose, Two Wall Hooks **5**
- Deluxe, Metal Hose, 24" Slide Bar **6**
- Professional, Vinyl Hose, 24" Slide Bar **7**
- Standard Plus, Metal Hose, 24" Slide Bar **8**
- European, Metal Hose, 23" Slide Bar **9**
- Low Flow (1.5 gpm), Metal Hose, 30" Glide Rail **L**
- Professional, Metal Hose, 30" Glide Rail **N**



Diverter

- Concealed Diverting Valve, 1/2" IPS, Metal Handle **Y**
- Diverter, Concealed, Deluxe ABS Handle **A**
- Diverter, Concealed, Deluxe Metal Handle **B**
- Exposed Diverter, Shower Arm-Type, Chrome-Plated **Z**

Vacuum Breakers

- Vacuum Breaker, Elevated, Chrome-Plated **V**
- Vacuum Breaker, In-Line **W**

POWERS™

A Watts Water Technologies Company



ISO 9001-2008
CERTIFIED

USA: Phone: 1.800.669.5430 • Fax 1.847.229.0526 • www.powerscontrols.com
Canada: Phone: 1.888.208.8927 • Fax 1.888.479.2887 • www.powerscontrols.ca