



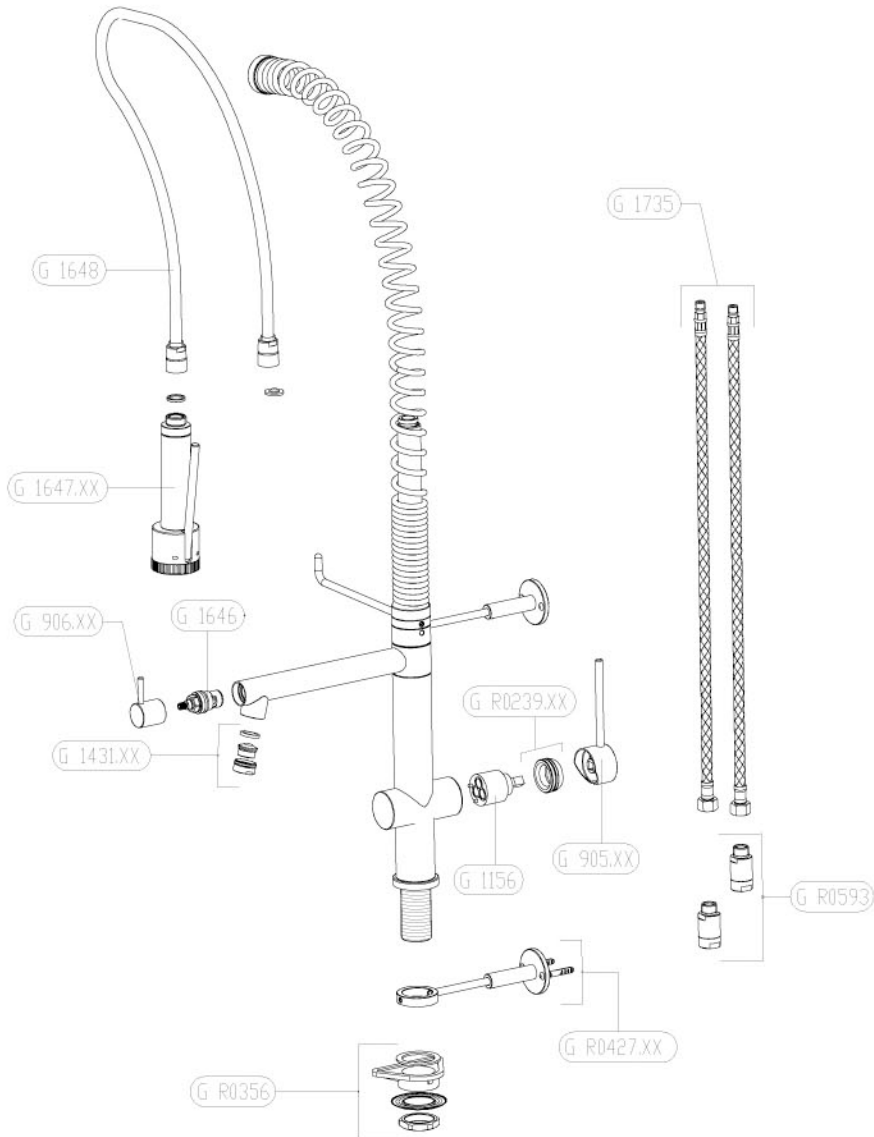
FF 1700 SERIES

Swivelling spout faucet with spray head

Installation guide

PARTS LIST

G 905.XX	Handle
G R0239.XX	Ring cap kit
G 1156	Cartridge
G R0356	Fastening set (rubber washer, triangular flange, metal washer, threaded nut)
G 1648	Flexible hose
G 1647.XX	Spray head complete
G 1735	Supply flexible hoses
G 906.XX	Knob
G R0427.XX	Wall fastening set
G R0593	Non-return valves
G 1646	Headvalve
G 1431.XX	Aerator M24x1



TECHNICAL DATA

Maximum water flow 2.2 gpm - 60 PSI

Recommended pressure range 25-100 PSI - Over 100 PSI PRV required

Complies with Proposition 65, NSF 61, UPC and C-UPC requirements.

Faucet installation

1. Remove all contents from the package and check for completeness (see itemized table and picture).

NOTE:

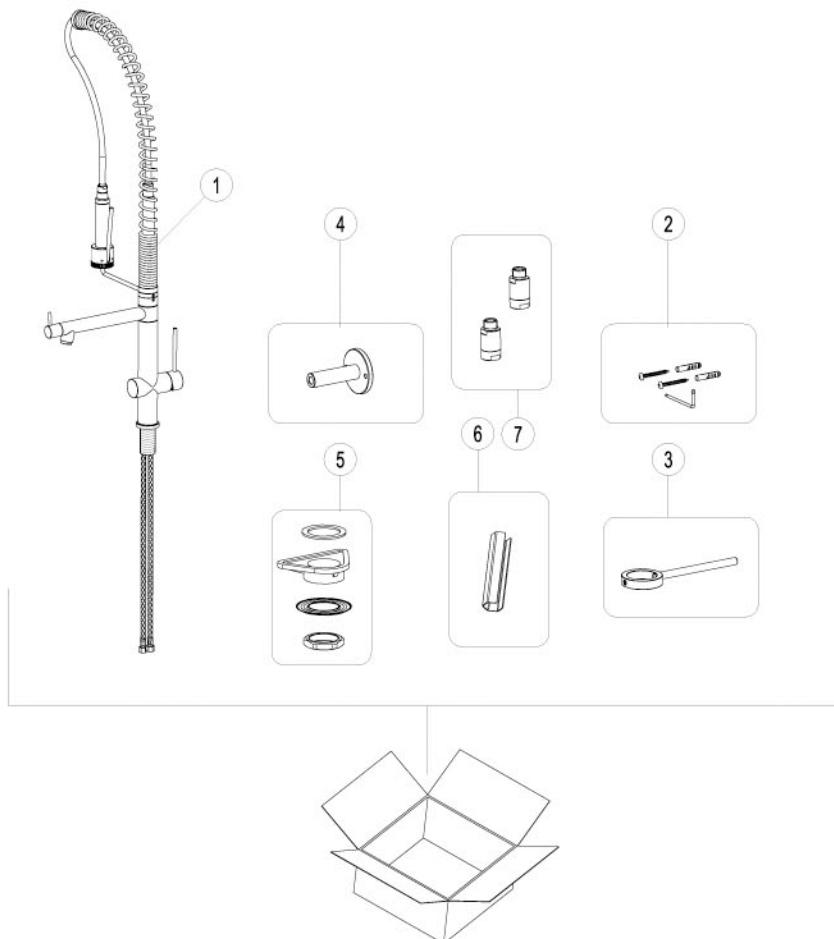
Call us immediately if you see inconsistencies. (1-800-626-5771)

or visit

www.frankeksd.com

TABLE OF CONTENT

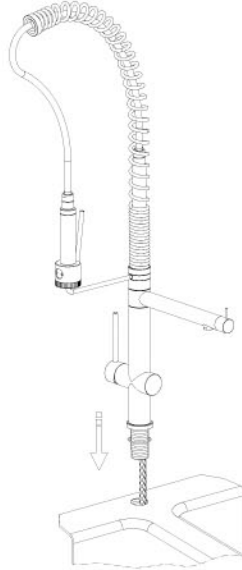
1	Faucet
2	Wall fastening set
3	Wall fastening rod
4	Wall flange
5	Fastening set (rubber washer, triangular flange, metal washer, threaded nut)
6	Hexagonal wrench
7	Non-return valves



2. Remove all mounting hardware from protecting plastic bag.
3. Place the large O-ring over the faucet shank and place the faucet into the desired location

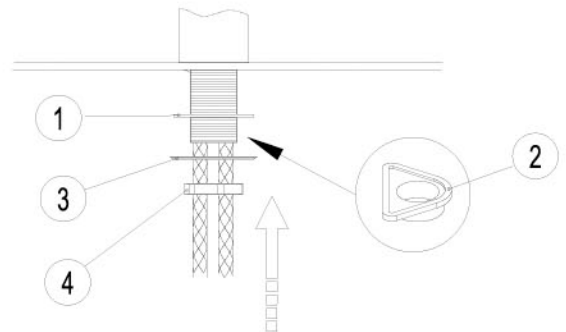
NOTE:

the rubber O-ring should be sitting on top of the countertop and between the faucet body. DO NOT use putty or other sealant at this location

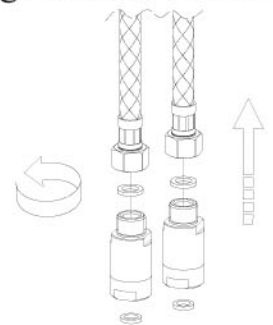


4. Install the mounting hardware (GR0356) to the threaded shank in the following sequence:

- 1 - round flat fiber washer
- 2 - triangular shaped plastic support
- 3 - flat metal washer
- 4 - thread brass nut



5. Assure that the handle and spout are properly aligned in forward position
6. Tighten the brass nut (4) with the provided wrench or use other professional tools.
7. Connect the supply flexible hoses to the supply net, interposing between-them the non-return valve with the gaskets as indicated in the figure

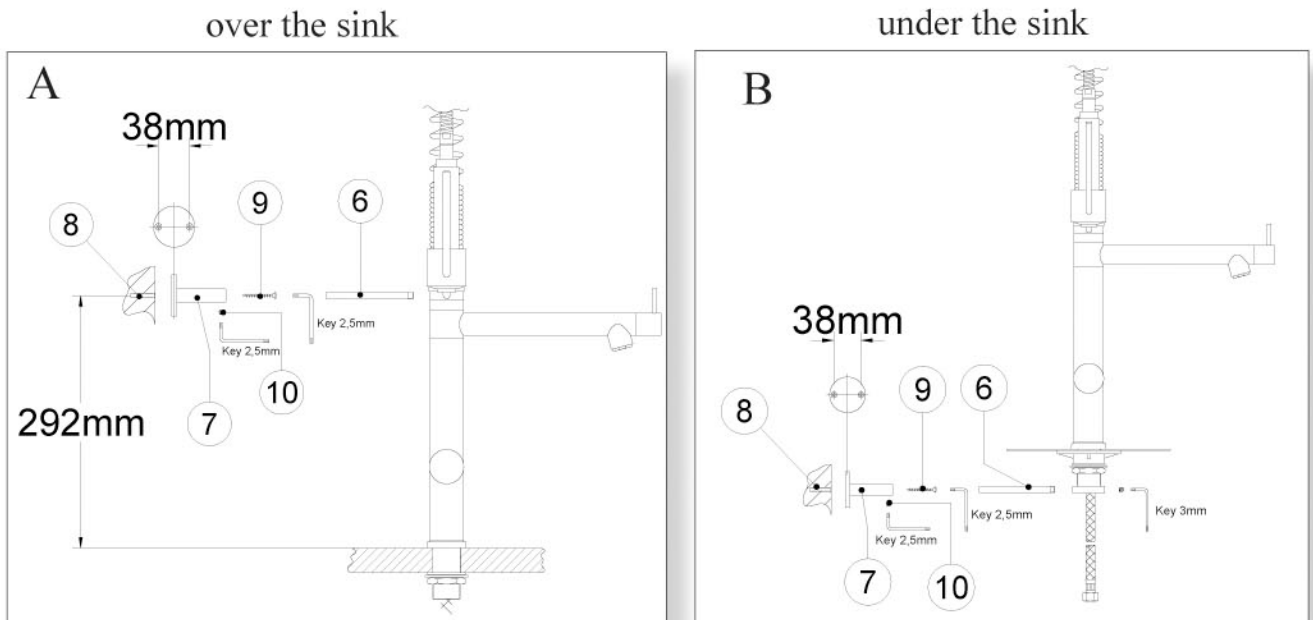


NOTE:

solid surface installation: The sub-countertop mounting surface needs to be flat and free of debris; otherwise the faucet will not sit properly.

Tile installation: Avoid installations near or on top of grout lines. The faucet will not sit secure when sitting on such.

7. The body can be fixed both onto the wall and on surface: .
 1. Screw the fixing rail (6) onto the single lever body
 2. Insert it completely in the given plate (7)
 3. Place the single lever body into the sink hole made at a certain distance from the wall
 4. Place the plate (7) properly where it has to be fixed, making sure the drilling points on the wall are well marked corresponding to the two holes with a 38 mm interaxe (approximate main surface height : 292 mm only for fixing stage Pict. "A")
 5. Place the dowels in the holes (8)
 6. Fix the plate onto the wall with the given screws (9)
 7. give stability to the position of the single lever by acting on the fixing rail and block the movement with the given nut (10)

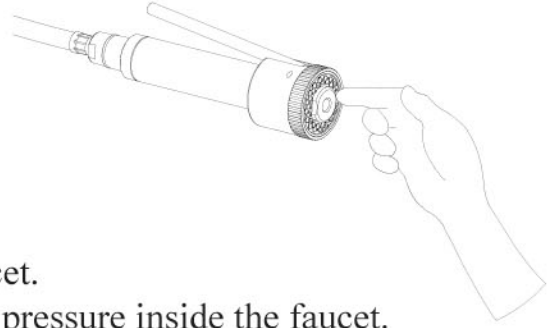


8. Flush out debris from water lines and faucet.
 1. Pull spray hose out of the faucet spout and point the open end towards the sink drain.
 2. Open faucet handle - cold side first - by turning handle to the right and moving it upward
 3. Let the faucet run on cold for 15 to 30 seconds.
 4. Open faucet handle - hot side second - by turning handle to the left and moving it upward.
 5. Let the faucet run on cold for 15 to 30 seconds.
 6. Turn faucet off.
 7. Test for leaks under the cabinet.

Standard maintenance and trouble shooting

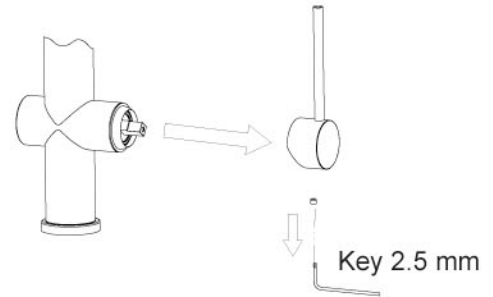
Cleaning of the spray head

Any deposits which may accumulate on the nozzle can be removed by simply running a finger over the rubber extrusions and then running the water for a few seconds. In extreme cases this step may have to be repeated.

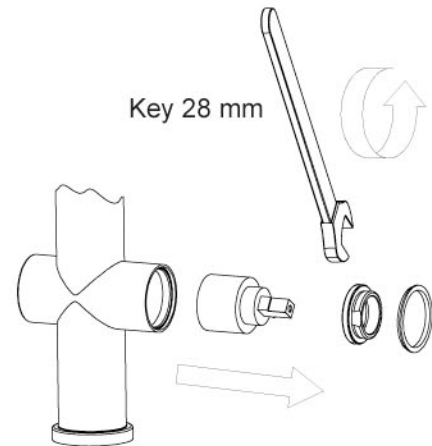
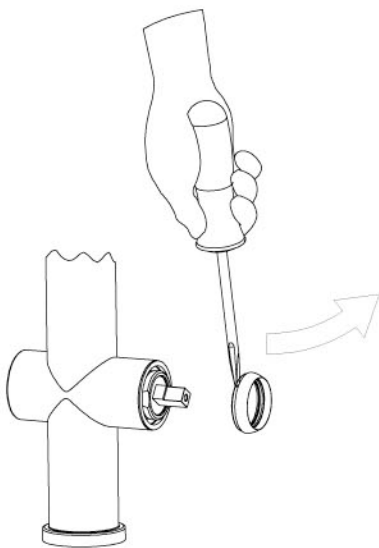


Replacing the Cartridge

1. Shut off the water supply to the faucet.
2. Open the faucet briefly to relief any pressure inside the faucet.
3. Move the faucet handle to the "OFF" position.
4. Use a the provided allen key to loosen the set screw which is accessible from the back of the handle.
5. Lift the handle from the cartridge.



6. Find the small notch at the base of the chrome ring cap and carefully pry up against this to remove the cap.

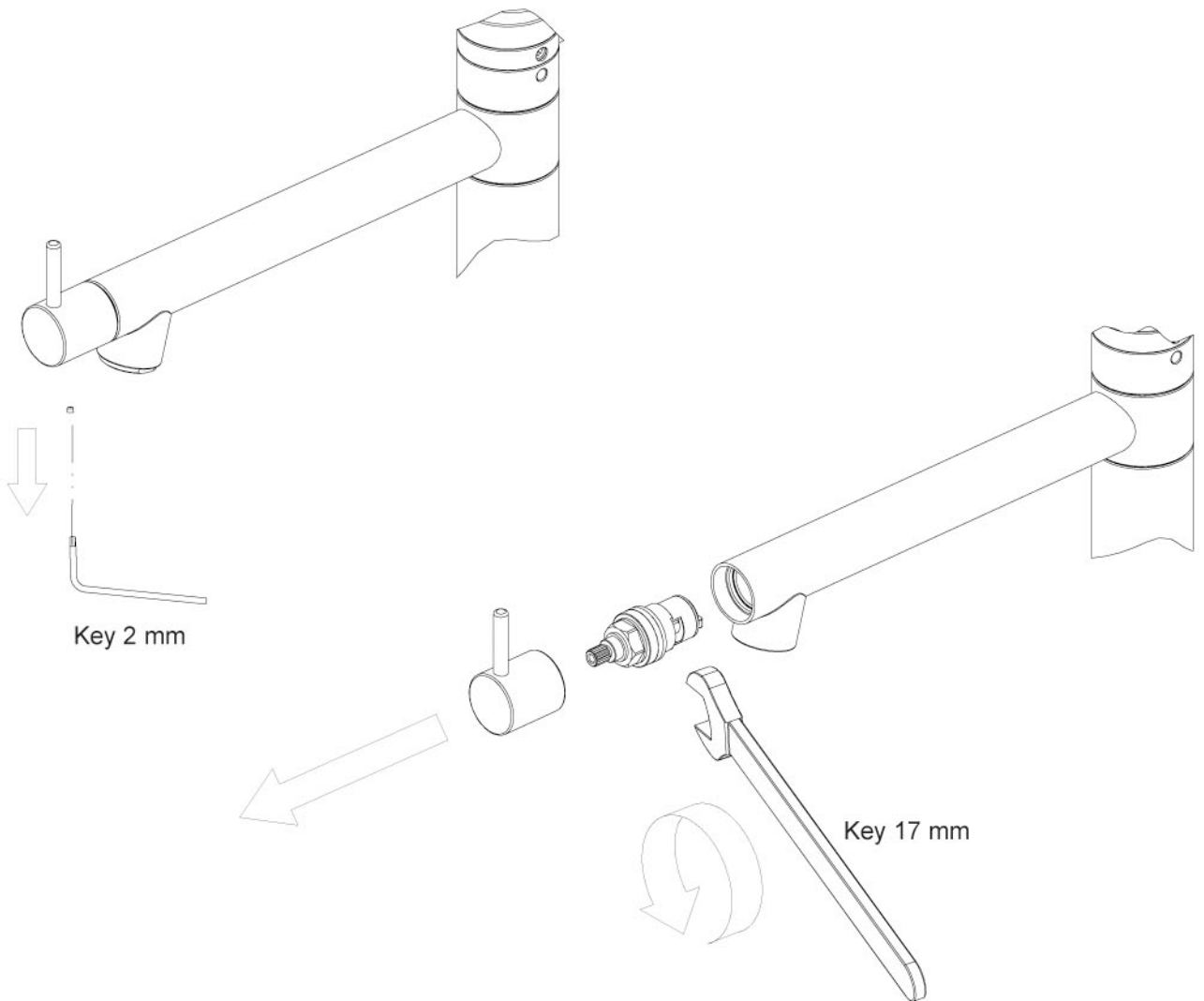


7. Remove the brass retaining ring.
8. Lift out the cartridge.

9. Ensure that the seats and O-rings are in good condition
10. Remove potential mineral deposits from inside the faucet body.
11. Install the new cartridge so that the central pivots fit into the corresponding seats.
12. Re-assemble faucet in reverse order.
13. Test for leakage.

Replacing the Headvalve

1. Shut off the water supply to the faucet.
2. Open the faucet briefly to relief any pressure inside the faucet.
3. Move the faucet knob to the "OFF" position.
4. Use a the provided allen key to loosen the set screw which is accessible from the back of the handle.
5. Lift the handle from the headvalve.
6. Unscrew then the headvalve using a 17 mm wrench and replace it.
7. Reinstall all the details, proceeding in opposite order.



General maintenance

Clean aerator periodically.

Do not use harsh detergents, solvents, chemical agents, metallic sponges, etc. that could harm the surface.

Clean only with a soft sponge and soapy water,

Clean and then dry properly the faucet in case of very hard or calcareous water, whose deposits could damage the surface.