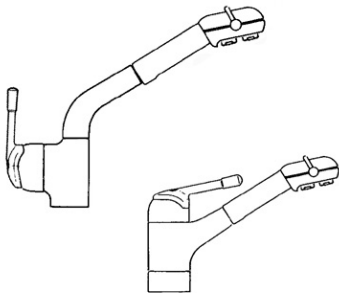


■■■ Installation instructions for Franke faucet with spray



■ Technology

■ Quality

■■■ **Limited Warranty.** Congratulations on the purchase of a Franke product. Franke is one of the world's largest manufacturers of kitchen systems worldwide. Our products are manufactured using the highest degree of technology, quality and design. As a result, we are proud to offer the following warranty.

■■■ Franke, Inc., Kitchen Systems Division, warrants the quality of its faucets to be free from manufacturing defects for a period of five (5) years from the date of purchase. The flexible hose is warranted for two (2) years from the date of purchase.

■■■ This warranty applies only to the original owner, providing the product as been installed in accordance with our installation instructions, used as recommended and in a normal residential application. In the event of a warranty claim, the owner will be required to provide proof of purchase. This warranty covers all components which make the product operational. Franke, at its option, may repair or replace the product or components necessary to restore the product to good working condition. Franke reserves the right to inspect the installation prior to the actual replacement of the product or component part.

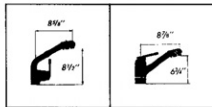
■■■ **Design.** These faucets are available in chrome and a selection of epoxy colors to match Franke sink accessories. The elegant rising spout has a high clearance from sinktop level giving plenty of room to fill or wash pots. This clearance is particularly important with accessorized sinks where the accessories bring the bowl to countertop level when in use.

■■■ **Care of finish.** These faucets have been carefully manufactured. The chrome or colored surfaces will maintain their appearance for a long time, provided they are cleaned using a soft cloth, water and soap. NEVER use an abrasive cleanser (liquid or powder) or any scouring pad on this faucet.

■■■ Technical data

Maximum water pressure:
Maximum hot water temperature:
Recommended hot water temperature:
Tailpipe connections:

75 PSI
175° F
150° F
3/8" O.D.



■ Design

■■■ This warranty does not cover misuse or abuse, accidental damages, scuffs or scratches improper installation, abnormal usage, negligence or damage caused by improper maintenance or cleaning. Normal wear of parts is excluded from warranty. Damage caused by impurities or acts beyond our control are not covered. Any product or part which has been repaired or altered in any manner outside of Franke's factory, unless previously authorized in writing by Franke, will void warranty. Any replacement excludes transportation and any labor re-installation costs. This warranty does not allow recovery of incidental or consequential damages such as loss of use, delay, property damage or other consequential damage, and Franke accepts no liability for such damages.

■■■ The Franke warranty is limited to the above conditions and to the warranty period specified herein and is exclusive. Franke DISCLAIMS all other warranties, expressed or implied, including the IMPLIED WARRANTIES OF MERCHANTABILITY AND/OR FITNESS FOR A PARTICULAR PURPOSE. This warranty gives you specific legal rights which may vary from state to state.

NOTE : Before making any adjustment, make sure that the arrow on the cartridge is aligned with the 0 (the number zero) on the transparent ring. The faucet is preset to the full open hot position and only needs to be adjusted as a device for energy saving and safeguarding against scalds.

- 1) Place the lever in the "cold" position.
- 2) Remove the blue/red insert with a screwdriver.
- 3) Remove screw, lever and the protective cap.
- 4) Unsnap the transparent stop ring. (See Fig. 1.)
- 5) Reset the stop ring to the desired temperature limit.

Top mount lever: While looking down at the faucet, locate the blue arrow (underneath the zero before removing transparent ring). Rotate the temperature ring counter-clockwise to the desired number setting; 1 through 9.

Side lever: With the faucet in the upright position, locate the blue arrow (underneath the zero before removing transparent ring) which will be in the 12 o'clock position. Rotate the temperature ring counter-clockwise to the desired number setting; 1 through 9.

NOTE: In either case, as the number increases so does the limitation of the lever and hot water. i.e. # 1 is only limited a small degree, # 9 allows no hot water at all.

- 6) Move the lever into the "hot" position and check the temperature.
- 7) Replace the cap, the lever and the blue/red insert.

NOTE: Since the maximum temperature of the mixed water is dependent on the variations of inlet water pressure and temperatures, an exact and continuous temperature cannot be guaranteed. To reduce hot water scalding, it is recommended to consider these factors.

■■■ Maximum Flow Rate Adjustment

■■■ NOTE: Before making any adjustment, be sure that the lever foot is on the "MAX" position. This green ring only needs to be adjusted as a device for water saving and safeguarding against splashing.

- 1) Remove the blue/red insert with a screwdriver.
- 2) Remove the screw, lever, and the protective cap.
- 3) Note the position of the transparent temperature stop ring and remove. (See Fig. 2.)
- 4) Pull off the green flow rate stop (factory adjusted to max.).
- 5) Using the percentages shown below, as a guide, replace green flow rate stop placing corresponding setting number at lever pivot point.

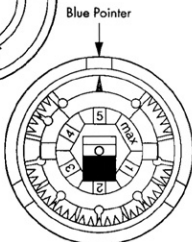
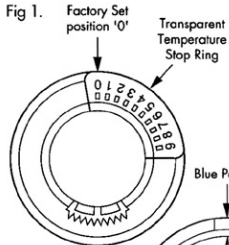
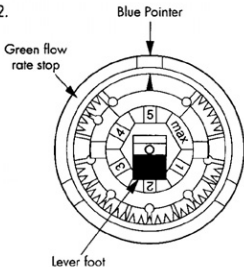
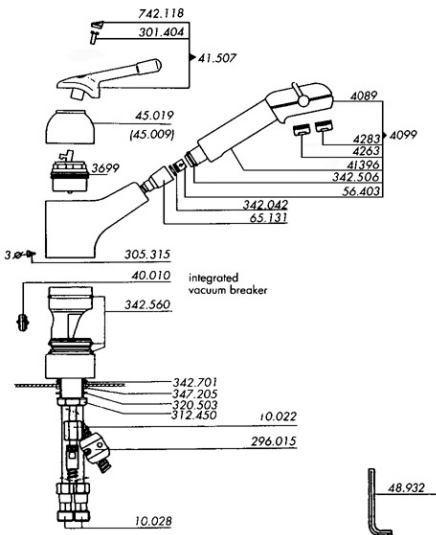


Fig. 2.



Flow Rate%	100	93	87	80	72	67
Stop Position	max	1	2	3	4	5

■ ■ ■ Franke Top Lever



■ ■ ■ Franke Side Lever

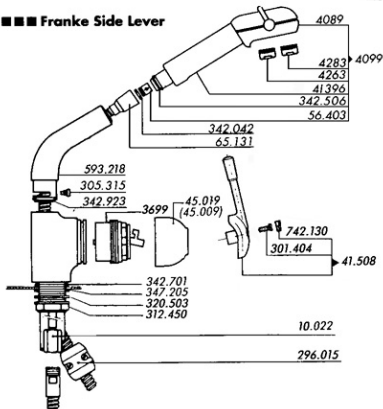


Fig. B

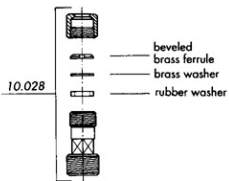
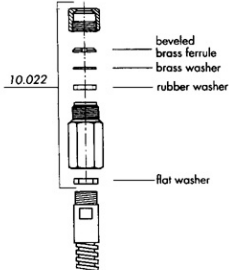


Fig. A



■■■ **Attention. Before installation** the faucet SUPPLY LINES MUST BE FLUSHED to remove scale, solder or other impurities and prevent them from entering the faucet.

■■■ **Installation**

- 1) Remove neck (593.217), sprayer (4096), Allen key (790.203) and faucet body from box.
- 2) Remove the body, and unscrew nut (312.450), metal friction washer (320.503) and flat washer (347.205).
- 3) Insert the body through faucet hole in sink with rubber O-ring (342.701) on top, then tighten body down to sink. Flat washer first, then metal friction washer and hexagon nut.
- 4) Connect the faucet supply tailpipes by their respective code: red spot/hot water-blue spot/cold water.
- 5) Remove the neck from box. Remove protective cap being careful not to lose rubber O-ring (342.923).
- 6) Locate set screw (300.009) on faucet body. Using Allen key (790.203), retract set screw being careful not to lose it.
- 7) Check that rubber O-ring is well positioned in its groove on base of the neck. Next insert the neck into body by slowly rotating and pushing until it clicks into the body. If the spout will not click into place, check to make sure the set screw (300.009) has been retracted and is not interfering with assembly.
- 8) Now secure neck by tightening set screw.

For Franke Top Lever only (model with vacuum breaker): numbers 9 to 10.

This model is provided with suitable inlet fittings (10.028) equipped with checkvalves. These fittings must definitely be installed otherwise our warranty will be void and plumbing codes will not be met.

- 9) Remove the two inlet fittings (10.028). Install them on the cold and warm water supply pipes.
- 10) Connect the faucet copper tailpipes to the inlet fittings according to: red spot/hot water-blue spot/cold water. Be careful not to lose the components. (If, by accident, parts have fallen out, replacement is as follows [see schematic B]: put the rubber washer on fitting, the brass washer on rubber washer then the beveled brass ferrule with bevel up on brass washer).

For all faucets.

- 11) Remove the faucet sprayhead, the flexible hose and the lead weights from the bag.
- 12) Unscrew the compression fitting (10.022) from the flexhose being careful not to lose the components. The flexible hose is then inserted into the faucet base or neck (top lever or side). It helps if the body is in the central position. Then slightly screw compression fitting on hose end. (If, by accident, parts have fallen out, replacement is as follows [see schematic A]: put the rubber washer on fitting, the brass washer on rubber washer then the beveled brass ferrule with bevel up on brass washer).
- 13) Connect flexhose to short middle tube using hexagon compression fitting. Using one wrench to hold flexible hose stationary, use second wrench to tighten hexagon compression fitting and form seal.
- 14) Remove lead weights and screws from bag. Using screws tighten weight on the flexible hose at label position. If label missing... place counterweight at bottom on flexhose loop to assist in retracting the hose and to act as a stop from pulling the unit out too far.

■■■ **Maintenance mechanisms.**

Under normal operating conditions, Franke faucets do not require any maintenance. They are unaffected by scaling or corrosion.

■■■ The cartridges on Franke Disc can, however, be disassembled for maintenance in the following manner:

- 1) Turn off the water at supply line connections.
- 2) Remove the blue/red insert with a screwdriver.
- 3) Remove screw, lever and the protective cap (45.019).
- 4) Unscrew, the nut holding the cartridge (3699) and remove the entire cartridge from the body.
- 5) Clean the cartridge and rinse out the body.
- 6) Reassemble by reversing the disassembly procedure above, taking special care that the position pin of the cartridge is correctly locate in its cavity.

■■■ **Aerator cleaning:** if water outlet clogged with stain deposit or impurities, you can unscrew the aerator plate to clean it.