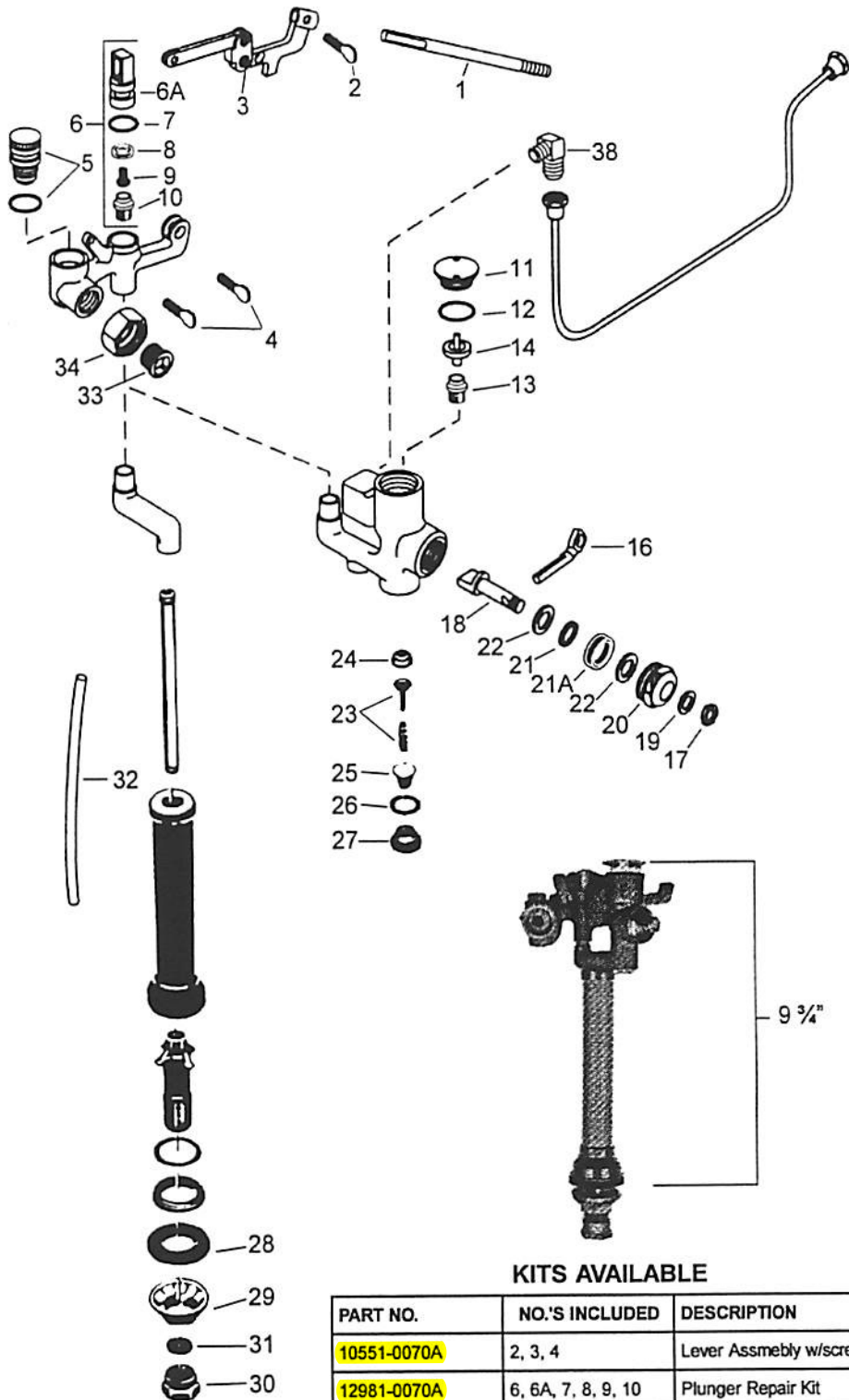


Luxor 2002V N3045LV

NO.	DESCRIPTION	PART NO.
1	Float Rod	82-27
2	Float Rod Thumb Screw	558-07
3	Lever S/A	10740-07
4	Thumb Screws (2)	557-17
5	Volume Regulator S/A	10765-0070A
6	Plunger S/A (Parts 6A, 7, 8, 9, 10)	12981-0070A
6A	Plunger **KIT ONLY**	
7	Plunger Washer	1853-07
8	Stem Washer	233-17
9	Screw	33268-07
10	Seat	1663-07
11	Cap **KIT ONLY**	
12	Washer	866-27
13	Seat	33542-08
14	Float	25670-07
16	Arm	33476-07
17	Locknut	79-17
18	Stem	33454-07
19	Washer	113-17
20	Packing Nut	33450-07
21	Washer	64705-07
21A	Packing Seal	64706-07
22	Packing Washer (2)	64704-07
23	Valve Stem S/A	12004-07
24	Valve Seat	12002-09
25	Screen	12269-07
26	Gasket	12007-07
27	Plug	12268-07
28	Base Gasket	73477-07
29	Shank Locknut	73478-07
30	Coupling Nut	226-47
31	Coupling Washer	125-07
32	Refill Tube	70451-07
33	Swivel	33132-07
34	Nut	24970-02
38	Male Elbow	33252-07



KITS AVAILABLE

PART NO.	NO.'S INCLUDED	DESCRIPTION
10551-0070A	2, 3, 4	Lever Assmely w/screws
12981-0070A	6, 6A, 7, 8, 9, 10	Plunger Repair Kit
47398-0070A	28, 29	Mounting Kit
70620-0700	11, 12, 13, 14	Vacuum Breaker Kit
67652-0070A	16, 17, 18, 19, 20, 21, 21A, 22	Diverter Stem Kit
67653-0070A	23, 24, 25, 26, 27	Diverter Valve Kit