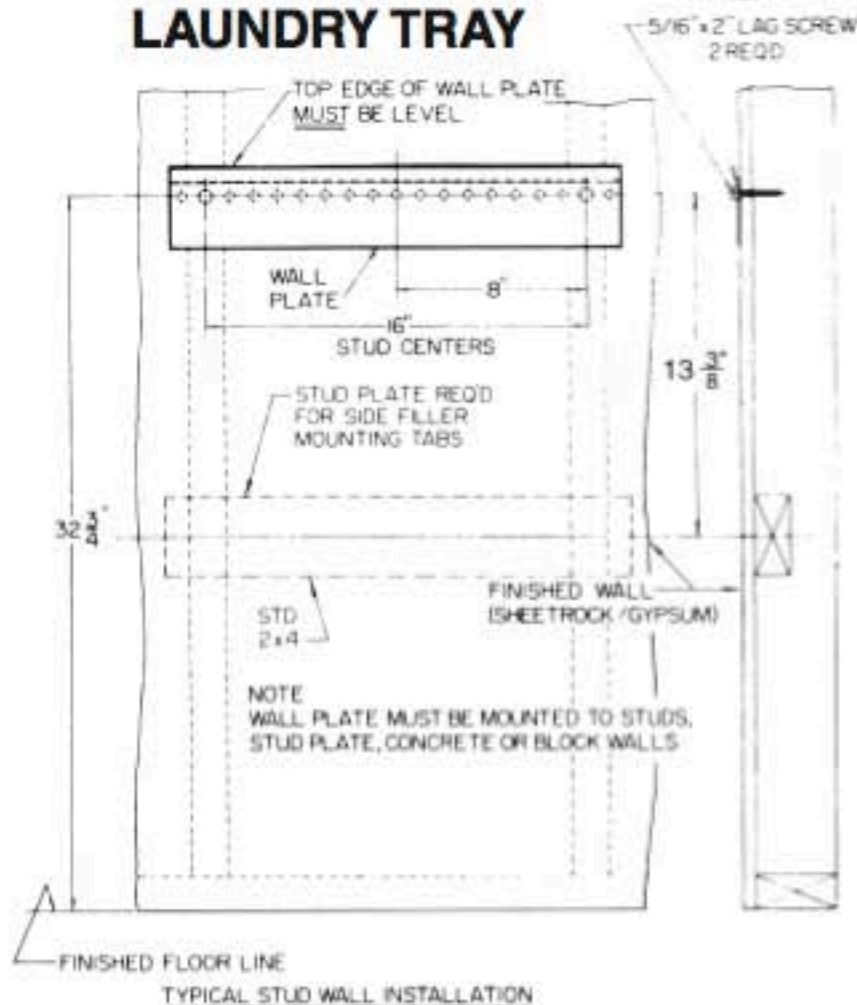
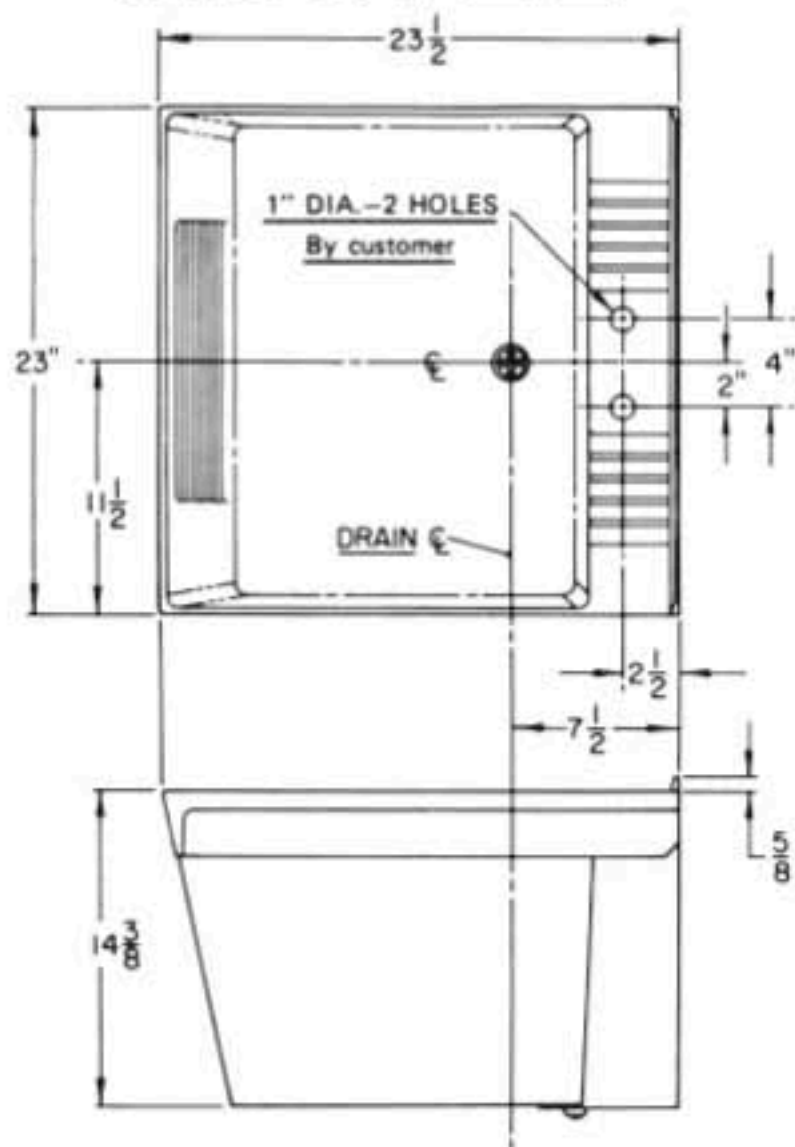


# MUSTEE

# MODEL 15W (15WK) WALL MOUNTED LAUNDRY TRAY



1. Secure **Wall Plate** to wall using both 5/16" x 2" **Lag Screws**. Locate mounting holes 1-1/2" below desired tray height as measured from top edge of rim.

### Hole Size:

Wood Walls (open stud) – Drill 3/16" diameter holes into wall studs or plate.

Cement/Masonry Walls – Drill 3/8" diameter holes for 5/16" plastic anchors.

Check level, tighten securely.

2. Turn **Laundry Tray** upside down on a smooth, clean surface to allow for the removal of the 1" (inch) dia. faucet hole plugs which are located on 4" (inch) centers. Be sure to allow for rear ledge overhang – approx. 5/8". This will give more support to the ledge area. The hole plugs may be removed by punching out, using a 3/4" (inch) pipe nipple with one end chamfered to ease cutting or by drilling with a 1" (inch) diameter hole saw.
3. Assemble **Molded Side Fillers** – insert tab between lugs under rear ledge. Position bottom plate over molded lug. Insert 1/4" x 3/4" **Drive Rivet** into lug hole, two rivets per side filler. Hammer to lock in place.
4. Mount faucet (not furnished) on tray. Faucet holes are on 4" (inch) centers. If "clamp-on" style faucet is preferred – optional faucet block Part No. 20.600 is available.
5. Mark location of molded side filler mounting tab holes. Remove **Laundry Tray** and follow anchoring procedures as outlined in Step 1. Reinstall **Laundry Tray**. Be sure to use the 5/16" dia. Flat Washers under the heads of the 5/16" Lag Screws. The washers will keep the Lag Screws from digging into and possibly damaging the side filler tab.
6. Make final plumbing connections in compliance with local code regulations.

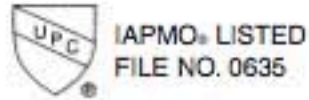
## E.L. MUSTEE & SONS, INC.

5431 West 164th Street • Brook Park, Ohio 44142

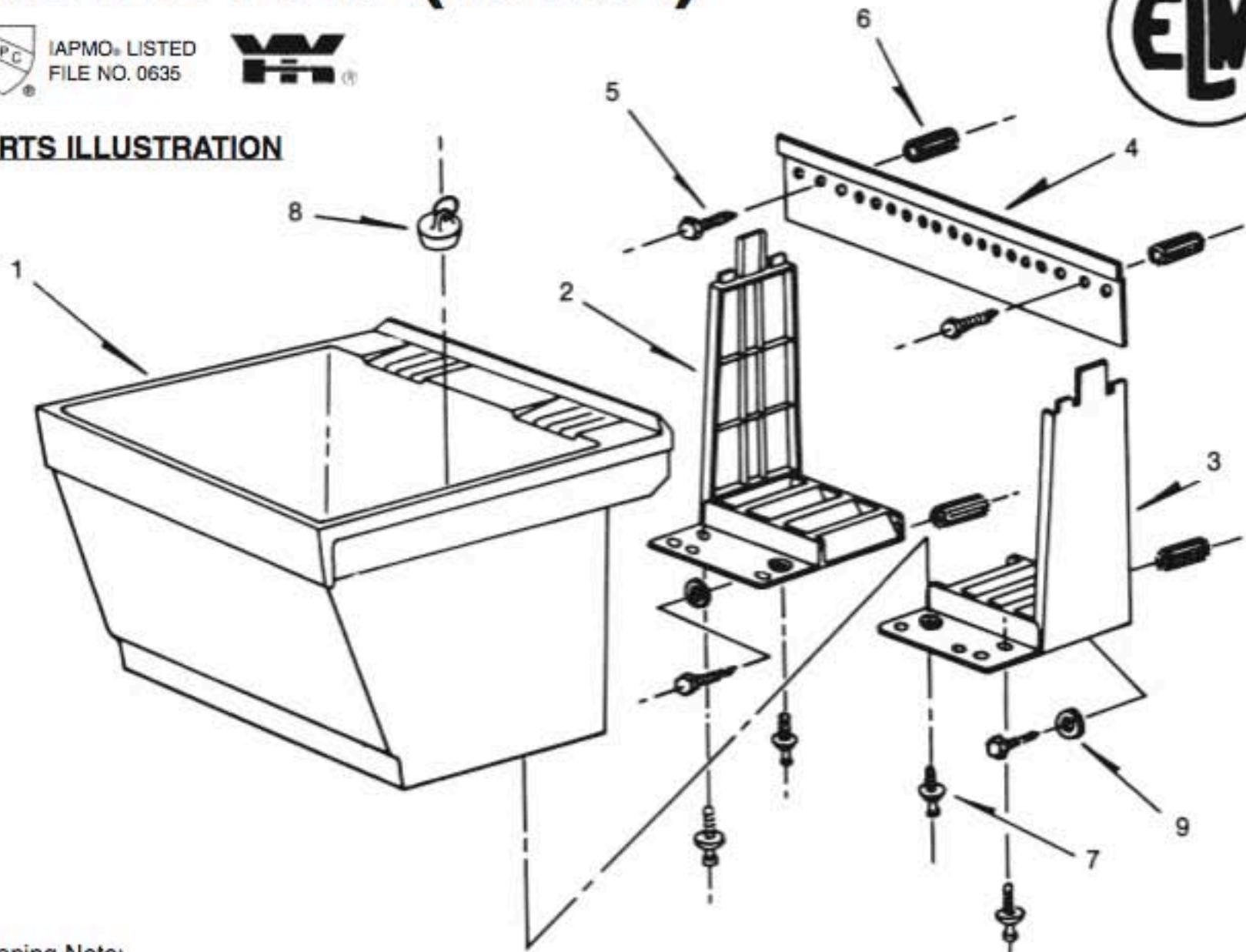
SI-140 (05•06)



# MODEL 15W (15WK)



## PARTS ILLUSTRATION



### Cleaning Note:

Most stains that you may acquire in your **Model 15W Laundry Tray** may be removed with common household cleanser or liquid cleaner. Stubborn stains may be removed with a bleach solution – follow bleach manufacturer's recommended procedures pertaining to safety, handling and use of their product.

## PARTS LIST

KEY NO.	PART NO.	DESCRIPTION
1	15.101	Single Compartment Laundry Tray
2	19.203	Molded Side Filler – Left Hand
3	19.202	Molded Side Filler – Right Hand
4	18.201	Wall Plate
5	*	Lag Screw, 5/16" x 2" (4 Required)
6	*	Anchor, Plastic, 5/16" (4 Required)
7	*	Drive Rivet – 1/4" Dia. x 3/4" Lg. (4 Required)
8	*	Stopper – 1-1/2" Diameter
9	*	5/16" Flat Washer (2 Required)
10	*	1-1/2" Tailpiece Washer (Not Shown)
11	*	1-1/2" Thrd. Slip Nut (Not Shown)

### NOTE:

Any type of transfer or sump pump must be supported by the floor or wall plus appropriate bracing for the waste lines. **DO NOT RELY SOLELY ON THE 1/2" MOLDED DRAIN CONNECTION.**

\*NOTE: FOR REPLACEMENT HARDWARE, ORDER COMPLETE PARTS PACKAGE PART NO. 19.601  
PACKAGES WILL NOT BE SPLIT FOR INDIVIDUAL PARTS.

**E.L. MUSTEE & SONS, INC.**

5431 West 164th Street • Brook Park, Ohio

SI-140 (05•06)





# MUSTEE FLOOR MOUNTED LAUNDRY TRAY



**NOTE:**

Any type of transfer or sump pump must be supported by the floor or wall plus appropriate bracing for the waste lines. DO NOT RELY SOLELY ON THE 1-1/2" MOLDED DRAIN THREAD CONNECTION.

MODEL:		
15F (15FK)		IAPMO® LISTED FILE NO. 0635
*17F (17FK)		IAPMO® LISTED FILE NO. 0820
*18F (18FK)		IAPMO® LISTED FILE NO. 0820
19F (19FK)		IAPMO® LISTED FILE NO. 0635

\*Models made with Durastone™

## **MODEL 15F (15FK) and 17F (17FK):**

Turn Laundry Tray upside down on a smooth, clean surface to allow for the removal of the 1" (inch) diameter faucet hole plugs which are located on 4" (inch) centers. Be sure to allow for rear ledge overhang – approximately 5/8" – this will give more support to the ledge area. The hole plugs may be removed by drilling with a 1" (inch) diameter hole saw.

## **MODEL 18F (18FK):**

The rear ledge of your Model 18F (18FK) Laundry Tray will accept many different faucets; 4" Center Set on center, 4" Center Set either right or left, 8" Center Set on center. Depending on the model faucet you choose, the appropriate holes will have to be drilled. You will notice that there are five indented hole locators molded-in on the underside of the rear ledge. Do not cut out faucet holes until you have measured the actual faucet you intend to use. Some single lever faucets require a large center/supply hole and small diameter mounting holes. A 1" diameter, fine tooth hole saw with center drill pilot would normally be used for the majority of faucet hole drilling. Drill from underside of rear ledge to mark center. Turn upright to finish cutting with hole saw.

## **MODEL 19F (19FK):**

The one inch (1") diameter faucet holes are prepunched on four inch (4") centers.

1. Insert Leg into corner socket. Using a block of wood or similar pad to protect the end of the leg, strike with hammer to drive leg into tapered socket. To determine if leg is properly installed, measure the corner gap. 1/16" maximum clearance is recommended to insure that the leg is locked securely into the tapered socket. Repeat above procedure for remaining legs.
2. Mount Leveler to leg. Note that there are two holes in the bottom of leg. Select the proper hole that will allow access to the screwhead after the tray is in desired location. Repeat above procedure for remaining legs.
3. Mount faucet (not furnished) on tray. If a "clamp-on" style faucet is preferred, optional Faucet Block Part No. 20.600 is available.
4. Position tray in desired location. Check level and adjust as needed with levelers (see FIG. 1). Holes are punched in levelers if anchoring tray to floor is desired (anchors not furnished).
5. Make final water supply and sanitary drain connections in full compliance with local code requirements.

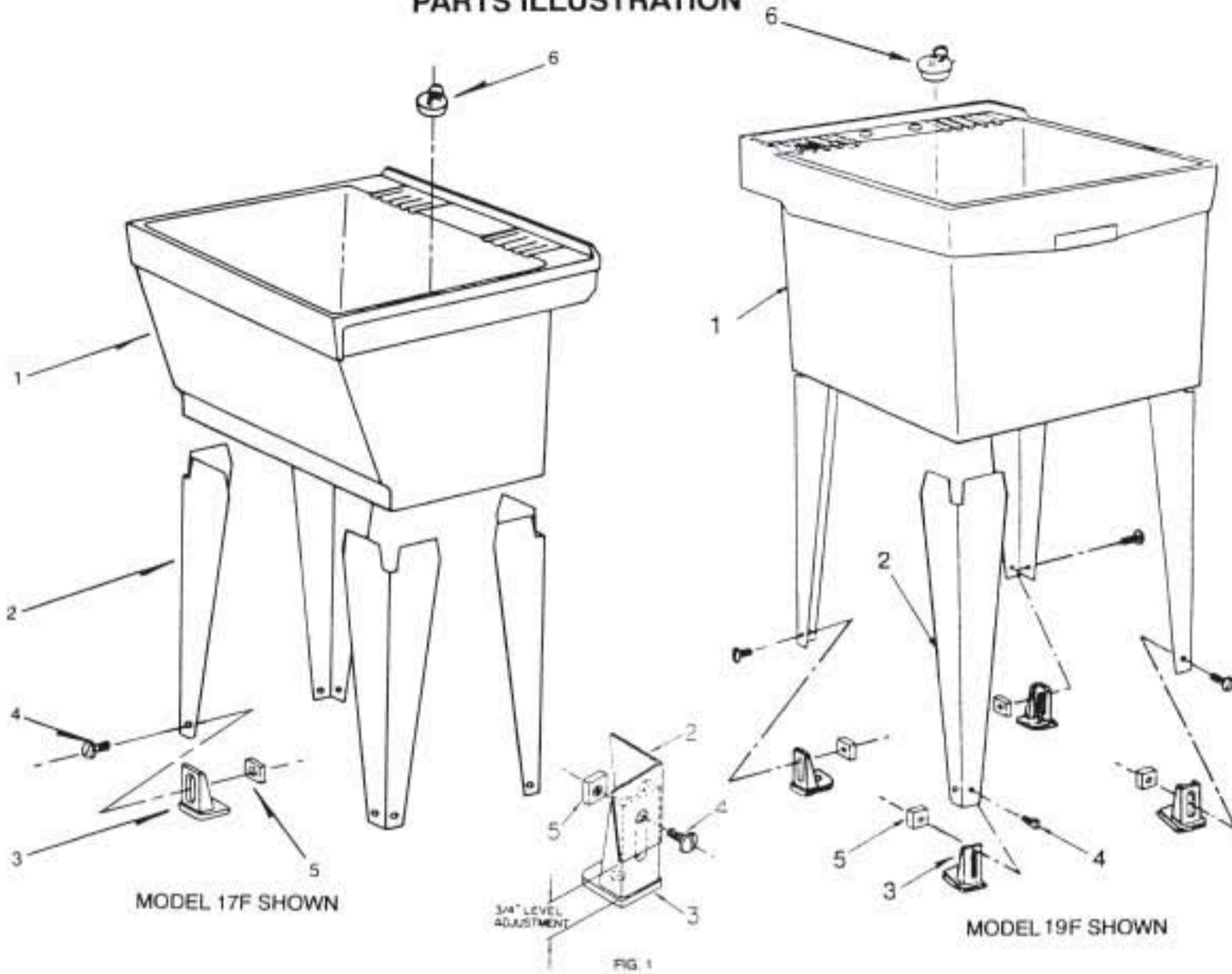
**Cleaning Note:**

Most stains that you may acquire in your Laundry Tray may be removed with common household cleanser or liquid cleaner. Stubborn stains may be removed with a bleach solution. Follow bleach manufacturer's recommended procedures pertaining to safety, handling and use of their product.



# MODELS: 15F (15FK), 17F (17FK), 18F, (18FK) and 19F (19FK)

## PARTS ILLUSTRATION

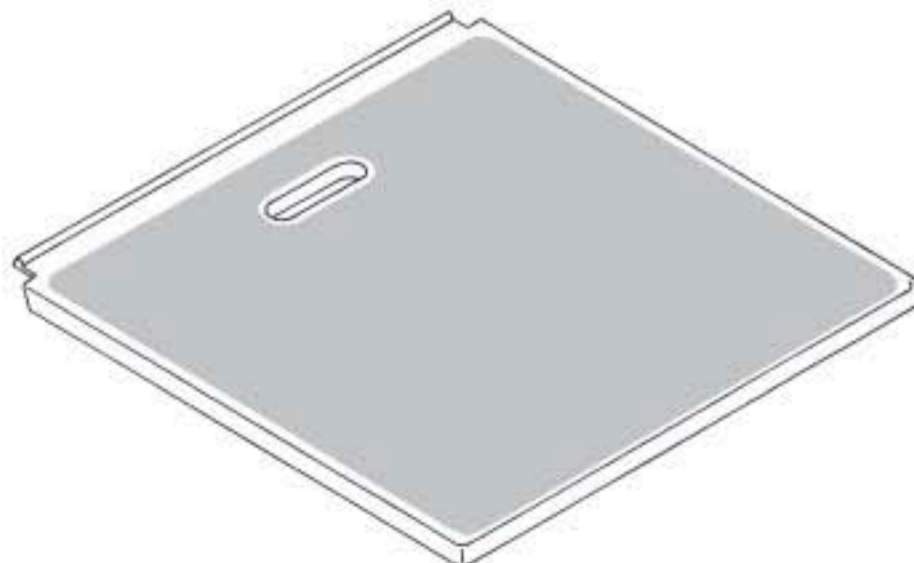


PARTS LIST					
KEY NO.	PART NO.				DESCRIPTION
	15F (15FK)	17F (17FK)	18F (18FK)	19F (19FK)	
1	15.101	17.102	18.101	19.101	LAUNDRY TRAY
2	18.301	18.301	18.301	18.301	LEG (4 REQ'D)
3	18.305*	18.305*	18.305*	18.305*	LEVELER (4 REQ'D)
4	.	.	.	.	LEVELER SCREW, 1/4" - 20NC X 1/2" (4 REQ'D)
5	.	.	.	.	NUT, 1/4" - 20NC (4 REQ'D)
6	.	.	.	.	STOPPER, 1-1/2" DIAMETER
7	.	.	.	.	1-1/2" SLIP NUT WASHER (NOT SHOWN)
8	.	.	.	.	1-1/2" THRD., SLIP NUT (NOT SHOWN)

\*NOTE: FOR REPLACEMENT HARDWARE, ORDER COMPLETE PARTS PACKAGE  
PART NO. 18.603 — PACKAGES WILL NOT BE SPLIT FOR INDIVIDUAL PARTS

### UTILATOP™ Laundry Tray Cover PART NO. 19.204 (Order Separately)

Heavy-duty, molded thermoplastic top fits Model 18 F/W and 19 F/W tubs.



**E.L. MUSTEE & SONS, INC.**

5431 West 164th Street • Brook Park, Ohio 44142

SI-177 (04•06)