

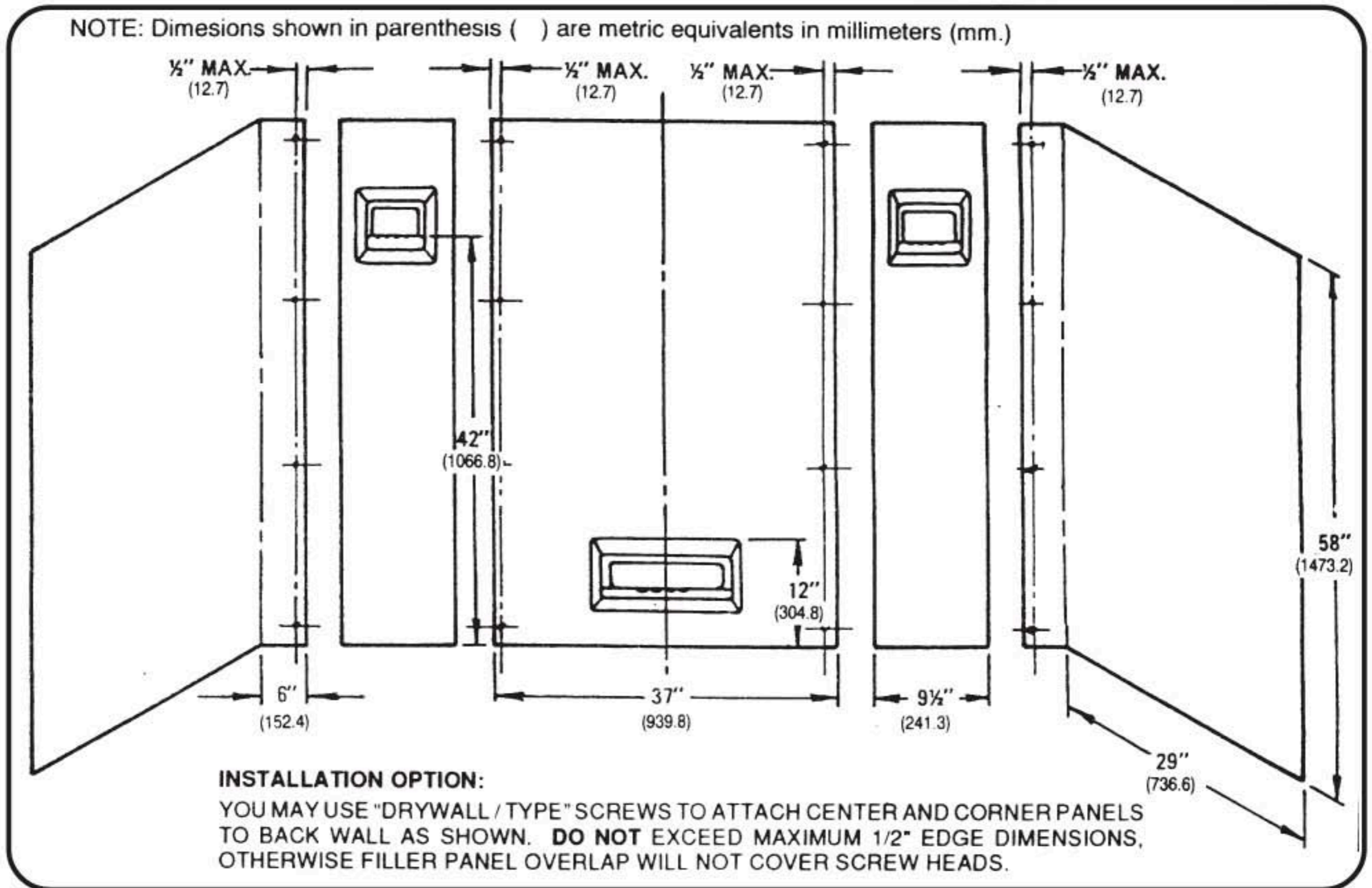
# MUSTEE DURAWALL®

## INSTALLATION INSTRUCTIONS

# MODEL 500

## 5 PC. BATHTUB WALLS

# FIBERGLASS



## TOOLS AND MATERIALS NEEDED:

- Electric or Hand Drill
- Tape Measure
- Razor Knife
- Hole Saw
- Level (24" Min.)
- Masking Tape (2" wide)
- Caulking Gun
- Grease Pencil
- Mineral Spirits
- Adhesive (Add'l may be req'd.)
- Adjustable Wrench
- Screwdrivers (Std. & Phillips)

### NOTICE:

We recommend that tub/shower compartments be equipped with support Grab Bars that comply with ANSI-117.1 - 1986 requirements. Grab Bars must be anchored to structural support behind panels. Do Not rely on panels only for grab bar support.

## PREPARATION:

We do not recommend installing the Durawall® Bathtub Wall Panels over any existing tile surfaces.

The Durawall® Bathtub Wall may be installed over drywall, plaster, painted walls, plywood, or any solid wall- not open studs. Wall surfaces must be clean, dry and free of grease, dust and loose or flakey paint or plaster. Shiny smooth surfaces should be sanded or scratched to insure a positive bond. It is recommended that raw plaster or new wallboard not be primed or watersealed prior to installation, some primers have a wax filler that will reduce the strength of the adhesive.

**E.L. MUSTEE & SONS, INC.**

5431 West 164th Street • Brook Park, Ohio 44142

SI-136 (9•06)

## IMPORTANT:

- Read instructions thoroughly before attempting installation.
- **DO NOT** remove protective liners from adhesive strips on back side of **Center, Filler or Corner Panels** until final installation.
- Package should be stored at room temperature (68°F-min.) for at least twenty-four (24) hours prior to installation.
- Turn off water supply to bathtub — Remove existing control valve handle(s) cover plates and filler spout, if shower head is mounted less than 58" from top of bathtub — it must be removed.

**NOTE:** **Center Panel** or **Corner Panel** may be installed first, installing **Center Panel** requires measuring the bathtub backwall to establish the centerline, then position **Center Panel** accordingly. **Filler Panels** are installed last, since they overlap both the **Center** and **Corner Panels**. • Trial fit all five (5) parts before applying construction adhesive or drilling any mounting holes.

## IMPORTANT:

1. Measure bathtub alcove to find center of backwall. Scribe a light grease pencil line at this point (at least 59" above top of bathtub). Measure and lightly mark center on top edge of **Center Panel**.

Remove any objects that protrude into bathtub alcove area below 59" such as soap dishes or towel bars. (See Fig. 1.)

2. Accurately measure tub spout and handle(s) hole location on alcove side wall and transfer dimension to appropriate **Corner Panel**. You may want to make a template (use shipping carton) to check hole layout before you cut holes into **Corner Panel**. After you have double-checked your measurements, using the proper size drill or hole saw, cut holes for outlets. (FIG.2)

## TRIAL FIT • NO ADHESIVE

3. Place **Center Panel** against backwall, resting bottom edge on bathtub rim. Align center lines, using masking tape - temporarily tape **Center Panel** in place. Temporarily tape **Corner Panels** in place. Position **Filler Panels**, check for proper overlap and alignment of **Center** and **Corner Panels**, if any trimming is required, trim equal amounts from **Center** and **Corner Panels**, -DO NOT- trim **Filler Panels**. If overlap and alignment is correct, draw 2 light pencil lines along the top edge of **Corner, Filler and Center Panels**- this will be your reference when you permanently install Panels. Remove panels from alcove, carefully remove masking tape and clean top edges of Panels. Do not remove Centerline mark from **Center Panel**. (FIG.3)

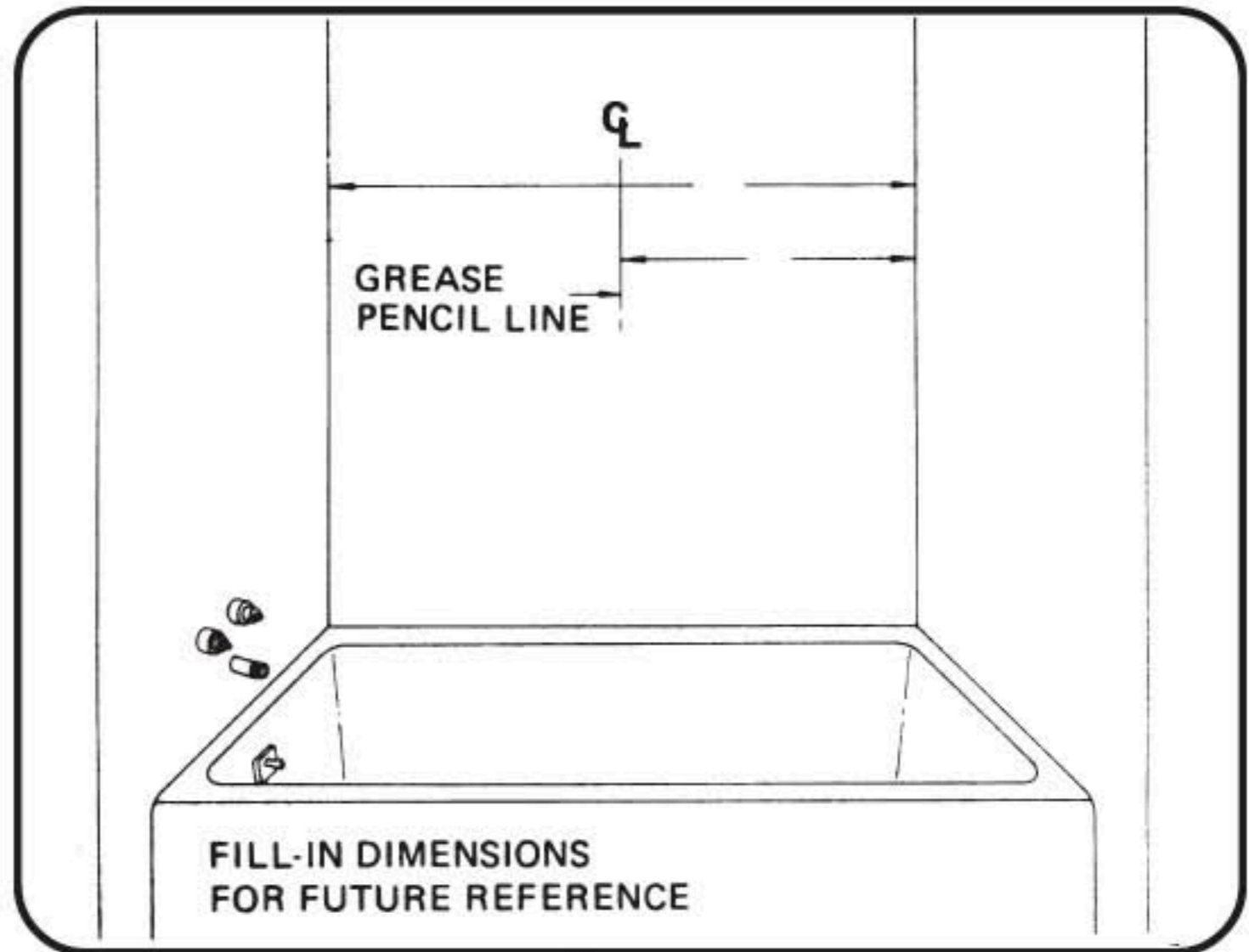


FIG. 1.

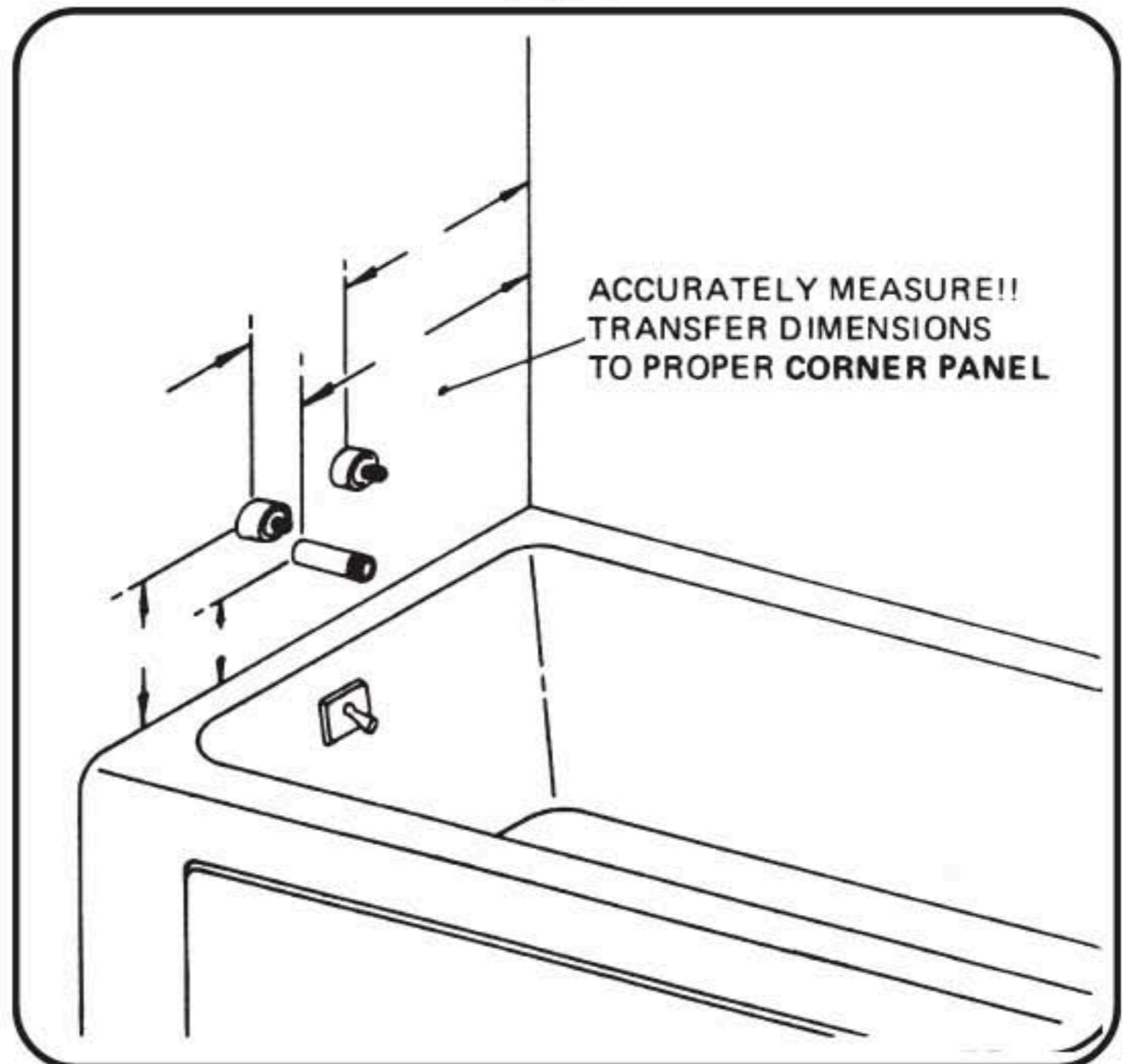


FIG. 2.

### ADHESIVE NOTE:

We recommend that each panel be "vented".

**VENTING METHOD** — Apply adhesive to back side of panel as illustrated, align all guide lines and press panel firmly to wall, compressing adhesive hold in approximately 30 seconds, then pull panel away. Remove protective liners from tape strips, wait 4 minutes. Carefully reposition panel (*The special factory applied tape CANNOT be repositioned once contact has been made — that is why alignment is very important*) and press back firmly into place. To insure proper adhesion, go over entire tub surround 20 minutes after all (3) three panels are in place, pressing firmly by hand or tapping with a padded block. Wait 24 to 36 hours (cure time) before using tub or shower.

## INSTALLATION:

### 4. Corner Panel - Permanent Installation

**Adhesive Pattern:** Apply a 1/4" bead of adhesive to the back side of one of the **Corner Panels**. Use a random "Zig-Zag" pattern. Do not apply adhesive to outer edges. Follow ADHESIVE NOTE/ VENTING METHOD. **NOTE:** You may use large head diameter tacks or "Roofing" style nails to hold panels in place, giving adhesive time to cure. Place body of nails along side edge of panel and press or tap in place. Be careful not to damage edge of panel- installing or removing nails. Clean any excess adhesive immediately with mineral spirits, then wash with a soap water solution. Follow same procedure for remaining **Corner Panel**. (FIG. 4.)

5. **Center Panel - Permanent Installation**  
**Adhesive Pattern:** Apply a 1/4" dia. bead of adhesive to the back side of the **Center Panel**. Use a random "Zig Zag" pattern. Do not apply adhesive to outer edges. Follow ADHESIVE NOTE / VENTING METHOD. You may also use the "Roofing Nails" along the top edge as described in step 4. Clean any excess adhesive and grease pencil line immediately with mineral spirits, then wash with a soap and water solution. (FIG. 5)

6. Now the **Center** and **Corner Panels** are permanently in place, apply a bead of silicone sealant to the edges of both panels - continuous bead from top to bottom. (FIG. 6)

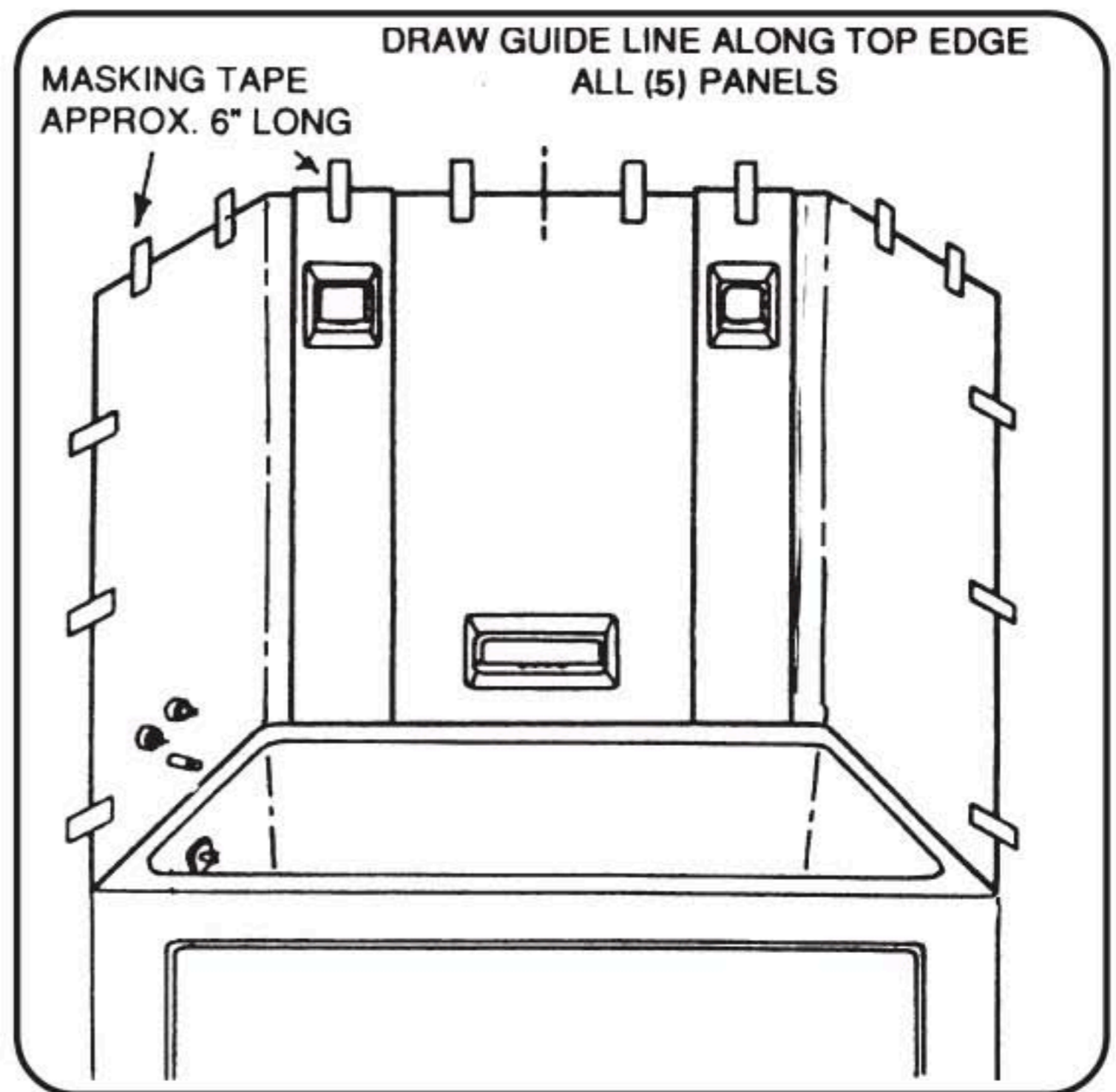


FIG. 3.

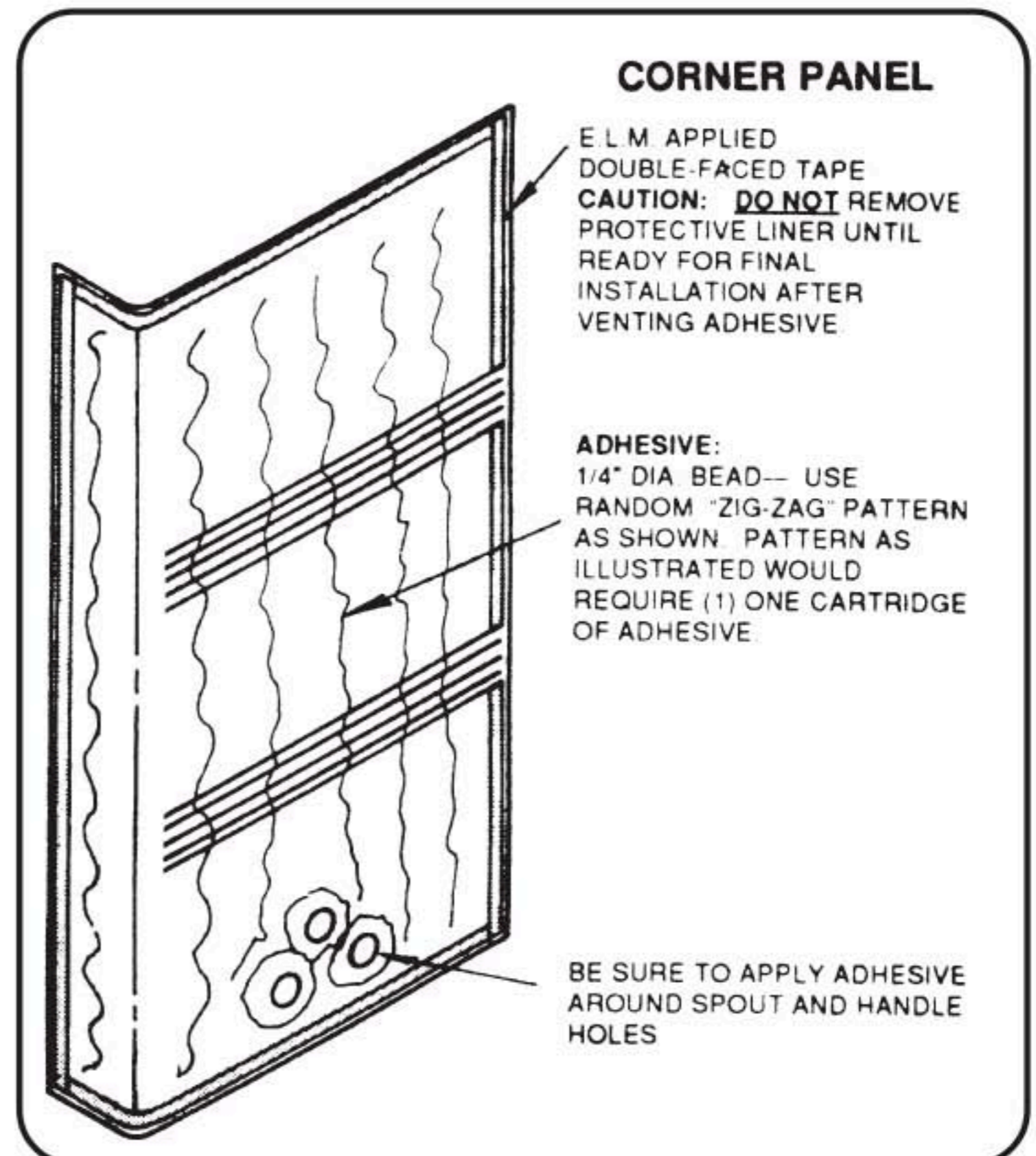


FIG. 4.

**Note:** Any dirt or molding/body oils on panel overlap area may affect tape adhesion. To avoid adhesion problems, wash overlap area of **Corner** and **Center Panels** with rubbing alcohol after they have been installed and prior to installing **Filler Panel**.

7. **FILLER PANEL** - Remove protective liners from tape strips, carefully position **Filler Panel**- overlapping top edge of **Center** and **Corner Panels**. **CAUTION:** PANEL CANNOT BE REPOSITIONED IF PREMATURE CONTACT IS MADE WITH TAPE! Align top edge with previous marked guide line. Press panel in place working from top overlap edge to bottom edge. Clean any excess sealant that may seep out. (FIG. 7)
8. Wait approximately 12 hours before applying caulking. Caulk all around. Remember to seal around faucet spout and handle hole(s). Follow caulking instructions label for clean up of excess.
9. Replace faucet spout and handle(s), turn on water supply to bathtub alcove. Wait 24 to 36 hours (giving adhesive time to develop bond strength) before using tub or shower.

## CARE AND CLEANING

The surface of your Durawall® Bathtub Wall may be cleaned with a mild soap solution in warm water using a soft cloth. For stubborn stains use "Soft -Scrub" by Clorox or Lysol "Tub & Tile Cleaner" or a powdered detergent such as "Spic-n-Span". Never use abrasive scouring powder or steel wool pads as they will scratch the surface. A periodic coating of a silicone based marine polish will help retain the fine finish.

### Warning:

Do not use spray-on cleaners that require daily use without immediately rinsing to stop chemical reaction. Damage will result and void warranty.

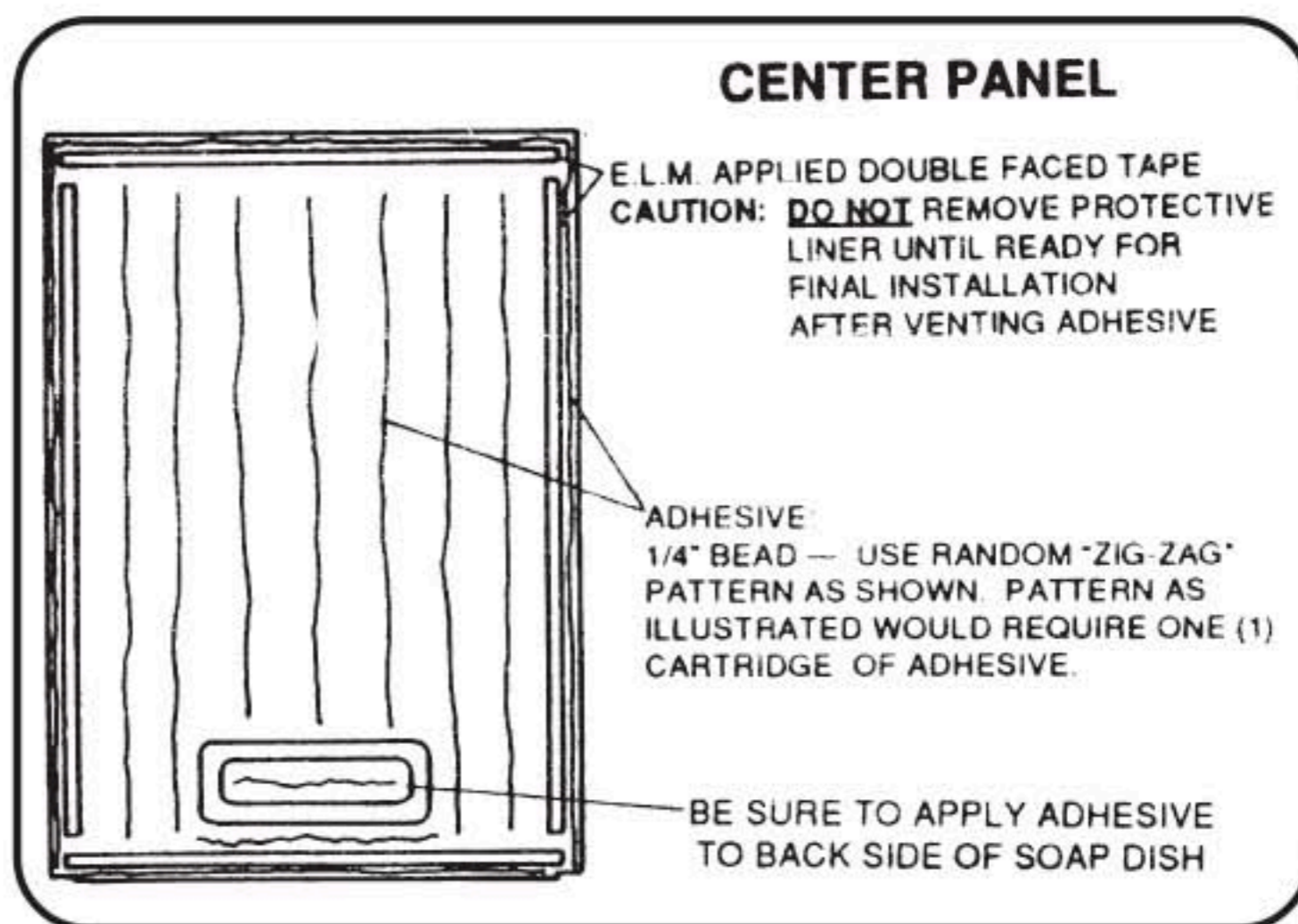


FIG. 5

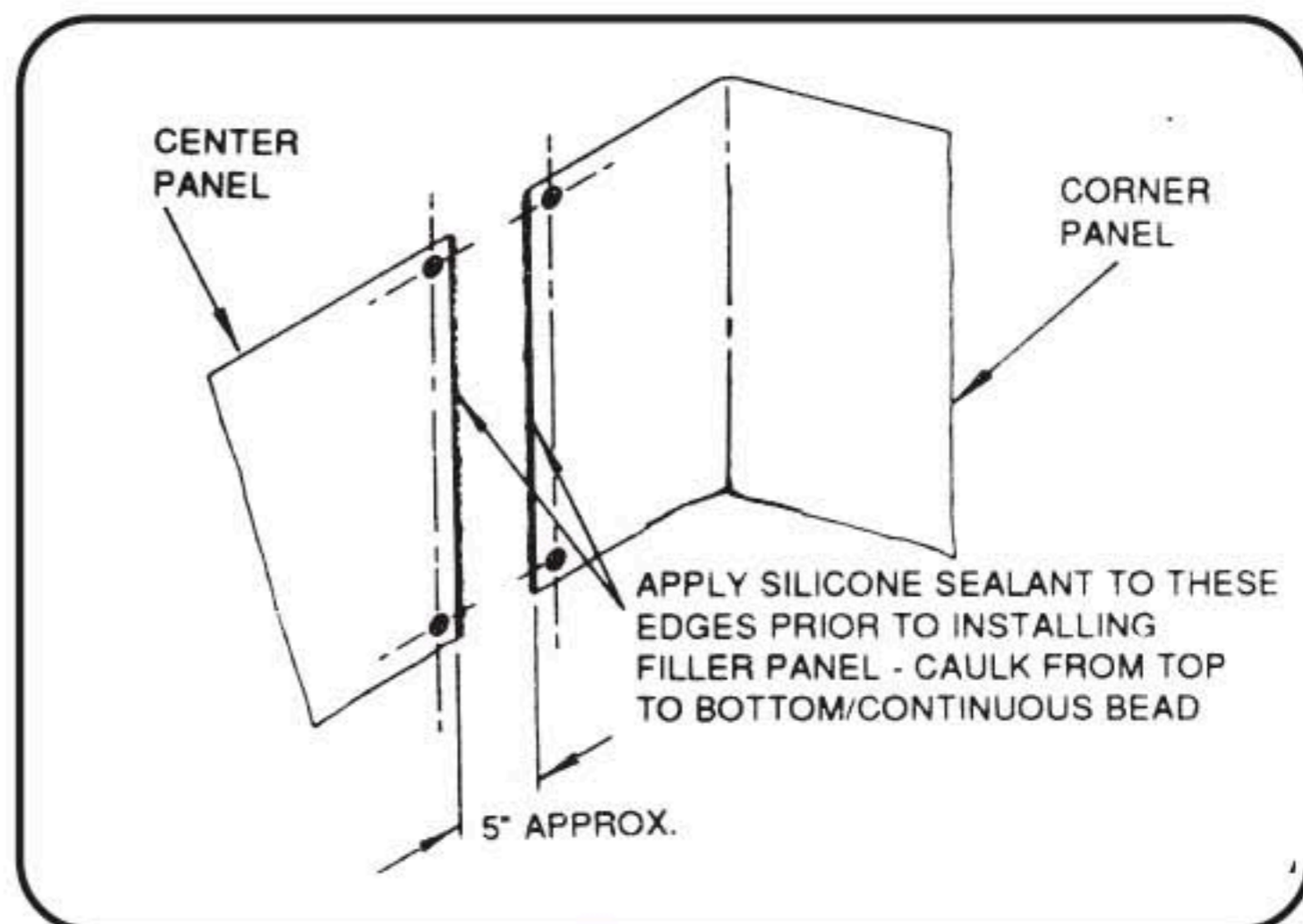


FIG. 6

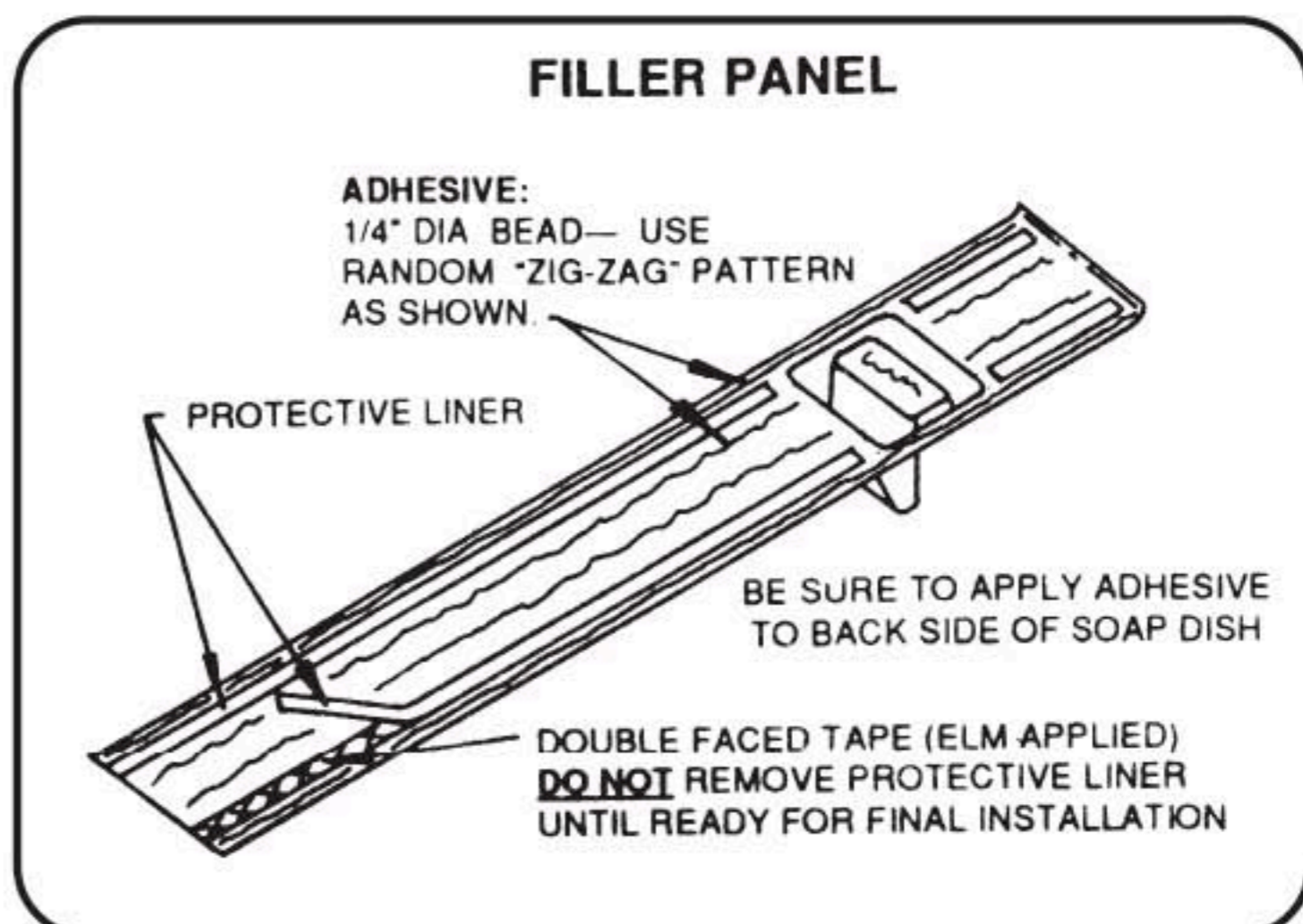


FIG. 7