

IMPORTANT:

- Read instructions thoroughly before attempting installation.
- **DO NOT** remove protective liner from adhesive strip on back side of **Center Panel** until final installation.
- Package should be stored at room temperature (68°F-min.) for at least twenty-four (24) hours prior to installation.
- Turn off water supply to bathtub — Remove existing control valve handle(s) cover plates and filler spout, if shower head is mounted less than 58" from top of bathtub — it must be removed.

NOTE: Corner Panels must be installed first- the Center Panel overlaps the short leg of each Corner Panel.

- Trial fit all three (3) parts before applying construction adhesive or drilling any mounting holes.

PROCEDURE:

1. Measure bathtub alcove to find center of backwall. Scribe a light grease pencil line at this point (at least 59" above top of bathtub). Measure and lightly mark center on top edge of **Center Panel**. This will position **Center Panel** with equal overlaps on each **Corner Panel**. Remove any objects that protrude into bathtub alcove area below 59" such as soap dishes or towel bars. See Fig. 1.
2. Accurately measure tub spout and handle(s) hole location on alcove side wall and transfer dimensions to appropriate **Corner Panel**. You may want to make a template (use shipping carton) to check hole layout before you cut holes into **Corner Panel**. After you have double checked your measurements, using the proper size drill or hole saw, cut out holes for outlets. See Fig. 2.
Note: Do all drilling from finished surface, this will reduce the possibility of surface damage.

TRIAL FIT • NO ADHESIVE

3. Set **Corner Panels** in place, resting bottom edges on bathtub rim, temporarily tape panels in place. Place **Center Panel** against backwall, also resting bottom edge on bathtub rim. Align previously marked center lines and check for equal overlap on each **Corner Panel**. Draw a light grease pencil line along top edge of **Center** and **Corner Panels** - this will be your reference when you permanently install panels. Remove panels from alcove, remove masking tape and clean top edges with mineral spirits to remove any excess grease pencil. **DO NOT** remove centerline mark from **Center Panel** at this time. See Fig. 3.

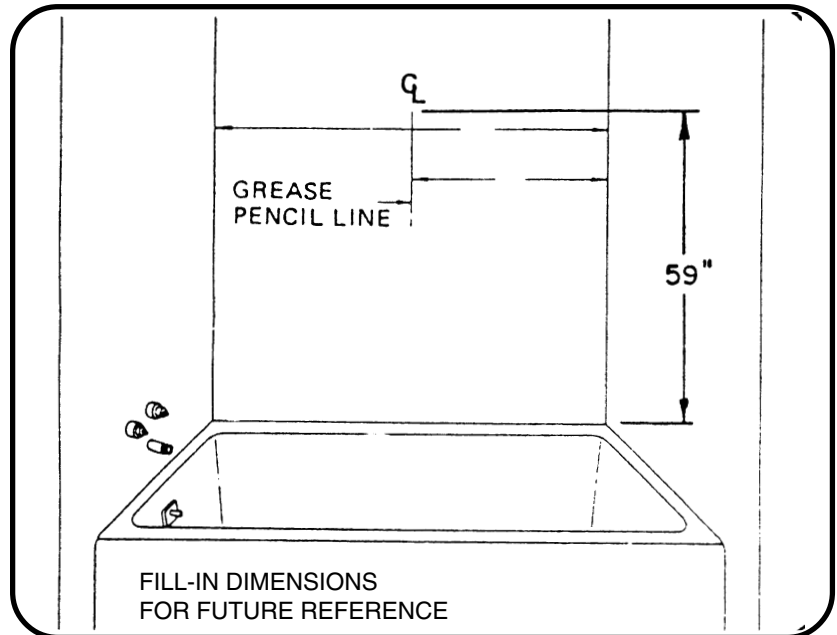


FIG. 1

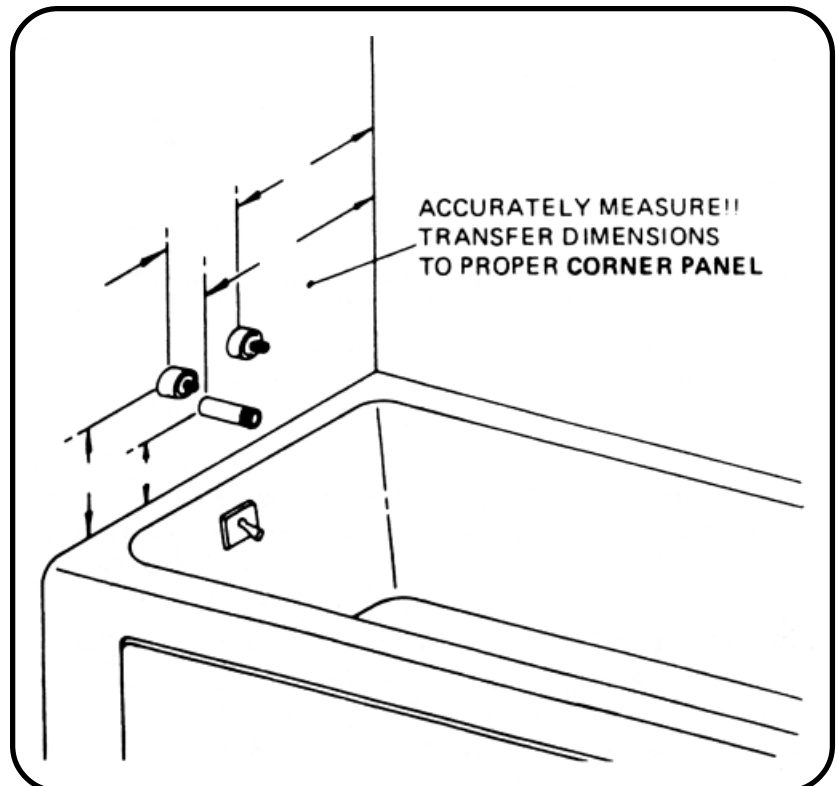


FIG. 2

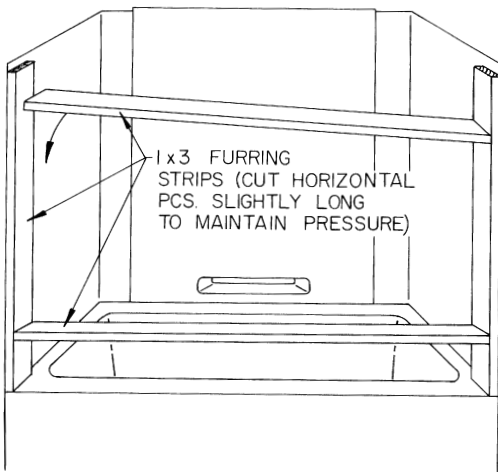
ADHESIVE NOTE:

We recommend that each panel be "vented".

VENTING METHOD - Apply adhesive to back side of panel as illustrated, align all guide lines and press panel firmly to wall, compressing adhesive, hold in approximately 30 seconds, then pull panel away. Remove protective liner from tape strip (if required), wait 4 minutes. Carefully reposition panel and press back firmly into place. To insure proper adhesion, go over entire tub surround 20 minutes after all (3) three panels are in place, pressing firmly by hand or tapping with a padded block. Wait 24 to 36 hours (cure time) before using tub or shower.

INSTALLATION HINT:

If existing wall condition does not allow panel edges to lay flat, unit may be 'blocked' as shown below while adhesive cures.



INSTALLATION:

4. **Corner Panel** - Permanent Installation Adhesive Pattern: Apply a 1/4" dia. bead of adhesive to the back side of one of the **Corner Panels**. Refer to FIG. 4 for recommended adhesive pattern. Follow "ADHESIVE NOTE / VENTING METHOD". **NOTE:** You may also use large head diameter tacks or "Roofing" style nails next to "overlap" edge of panel if required. These nails do not have to be removed as they will be covered by **Center Panel**. (See detail in FIG. 4 for suggested nail placement.)

Note: Any dirt or molding/body oils on panel overlap area may affect adhesion. To avoid adhesion problems, wash overlap area of **Corner Panels** with rubbing alcohol after installation and prior to installing **Center Panel**.

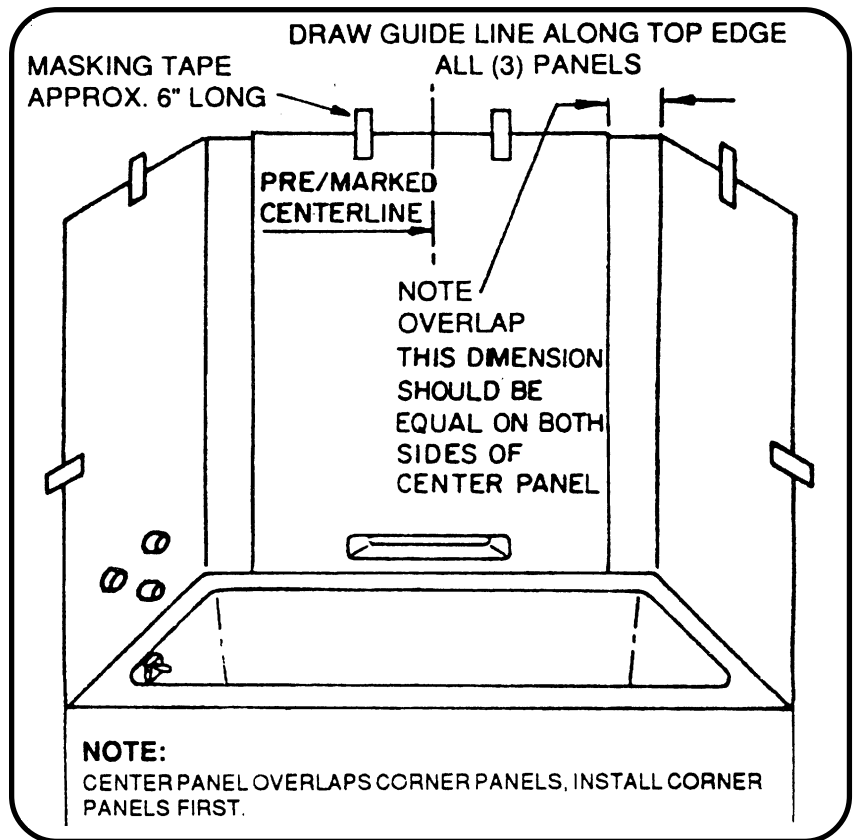


FIG. 3

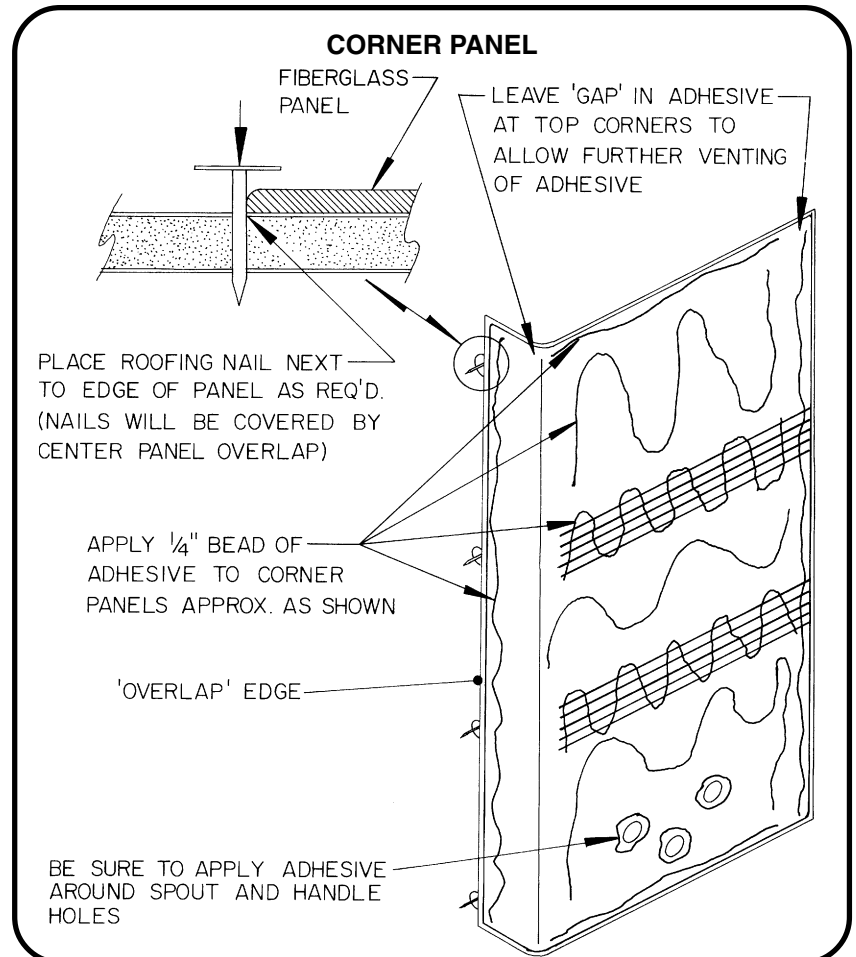
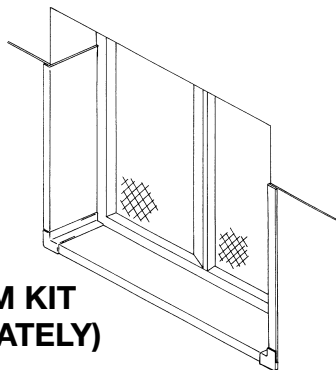


FIG. 4

5. **Center Panel** - Permanent Installation. Apply a 1/4" dia. bead of adhesive to the back side of the Center Panel using the pattern shown in FIG. 5 as a guide. Follow "ADHESIVE NOTE / VENTING METHOD". Remove protective liner from factory applied tape and permanently reposition panel to guide lines. Clean any excess adhesive and grease pencil line immediately with mineral spirits, then wash area with a soap and water solution to neutralize solvent.
6. Wait approximately 12 hours before applying caulking. Caulk all around. Remember to caulk around faucet spout and handle hole(s). Follow caulking instructions label for clean up of excess caulk.
7. Replace faucet spout and handle(s), turn on water supply to bathtub alcove. Wait 24 to 36 hours (giving adhesive time to develop bond strength) before using tub or shower.

**MODEL
300.600W
WINDOW TRIM KIT
(SOLD SEPARATELY)**



- 5 - PC. FIBERGLASS KIT ACCOMODATES WINDOWS UP TO 36" WIDE x 8" DEEP.
- SMOOTH, EASY TO INSTALL PANELS PROVIDE WATERPROOFING FOR WINDOWS IN BATHTUB ALCOVE.

CARE AND CLEANING

The surface of your Durawall® Bathtub Wall may be cleaned with a mild soap solution in warm water using a soft cloth. For stubborn stains use "Soft -Scrub" by Clorox or Lysol "Tub & Tile Cleaner" or a powdered detergent such as "Spic-n-Span". Never use abrasive scouring powder or steel wool pads as they will scratch the surface. A periodic coating of a silicone based marine polish will help retain the fine finish.

Warning:

Do not use spray-on cleaners that require daily use without immediately rinsing to stop chemical reaction. Damage will result and void warranty.

E.L. MUSTEE & SONS, INC.

5431 West 164th Street • Brook Park, Ohio 44142

CENTER PANEL

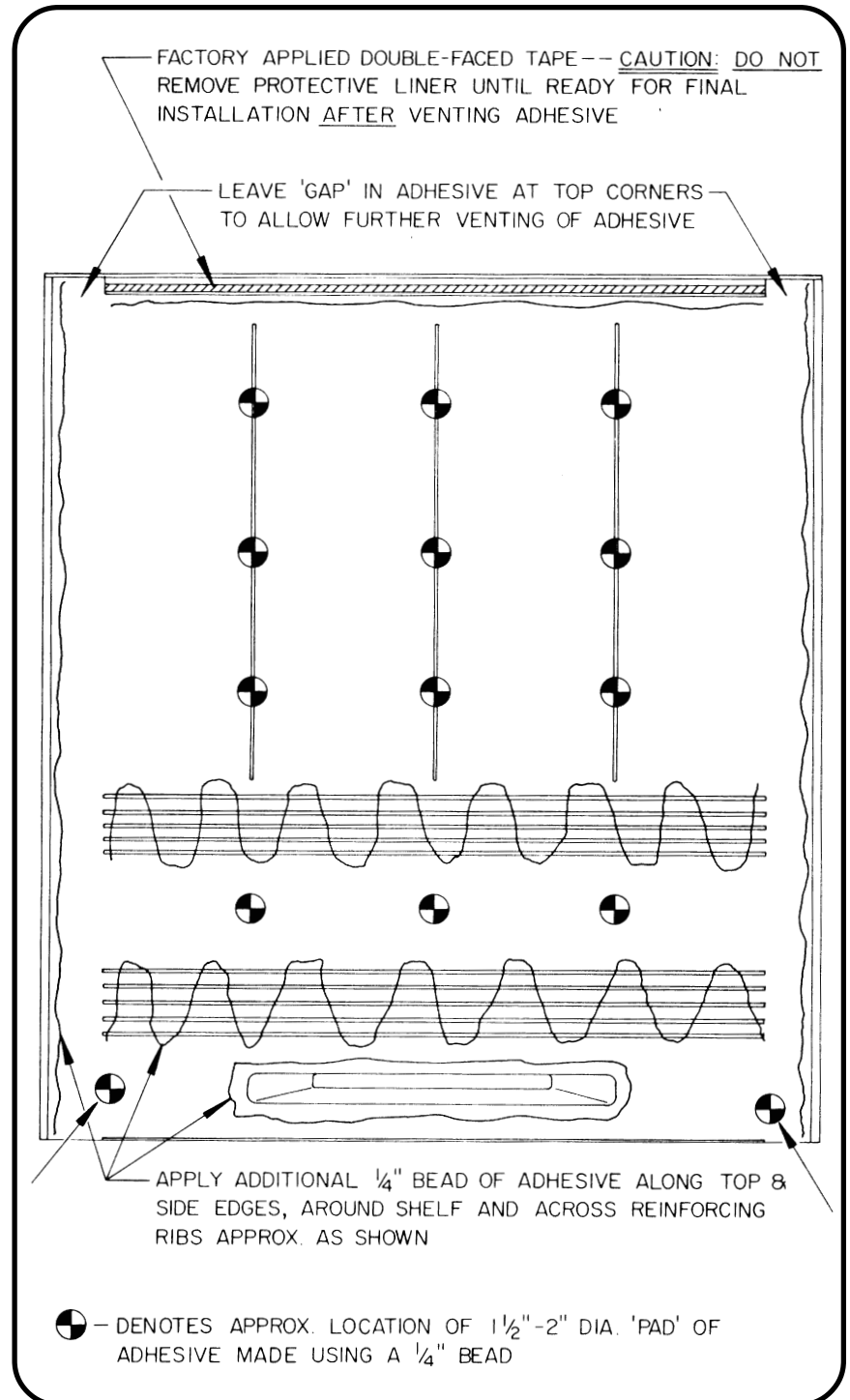


FIG. 5