

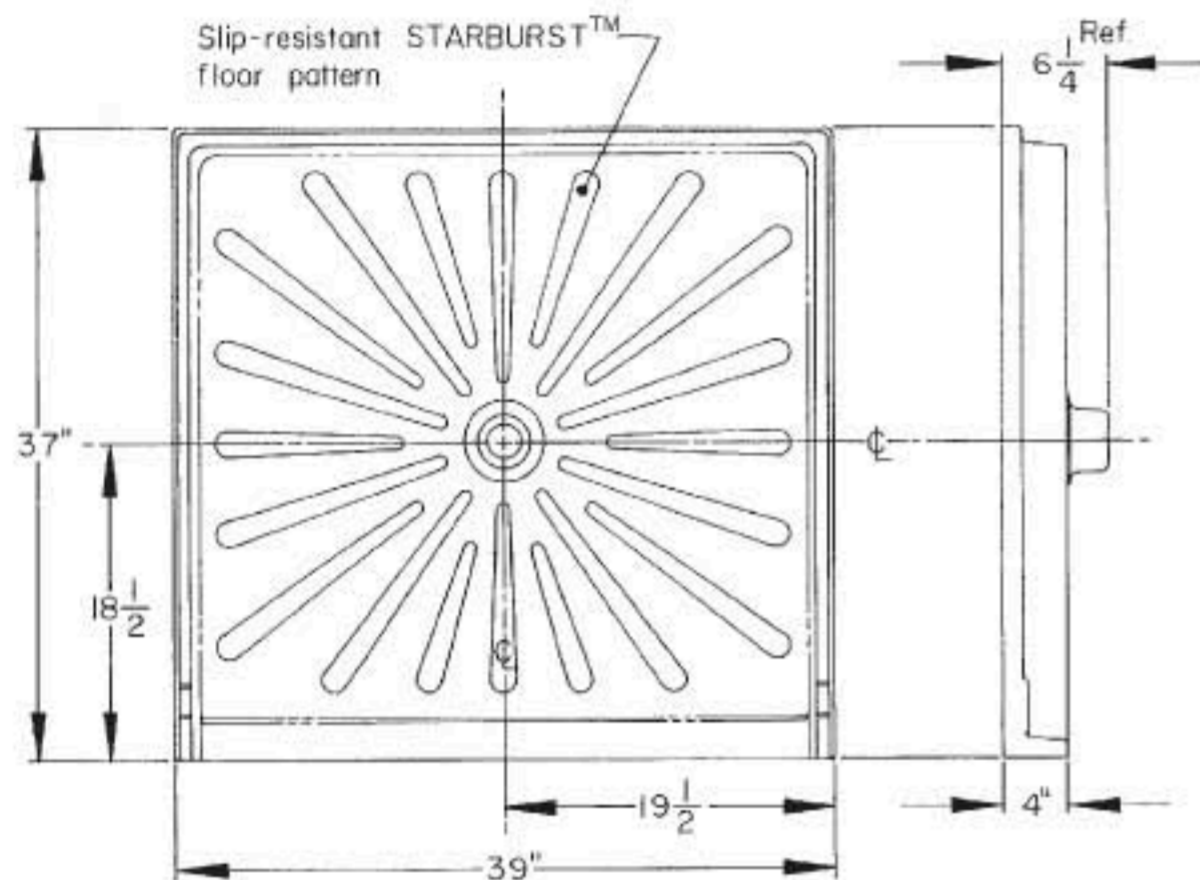
MUSTEE

MODEL 3739M TRANSFER SHOWER FLOOR

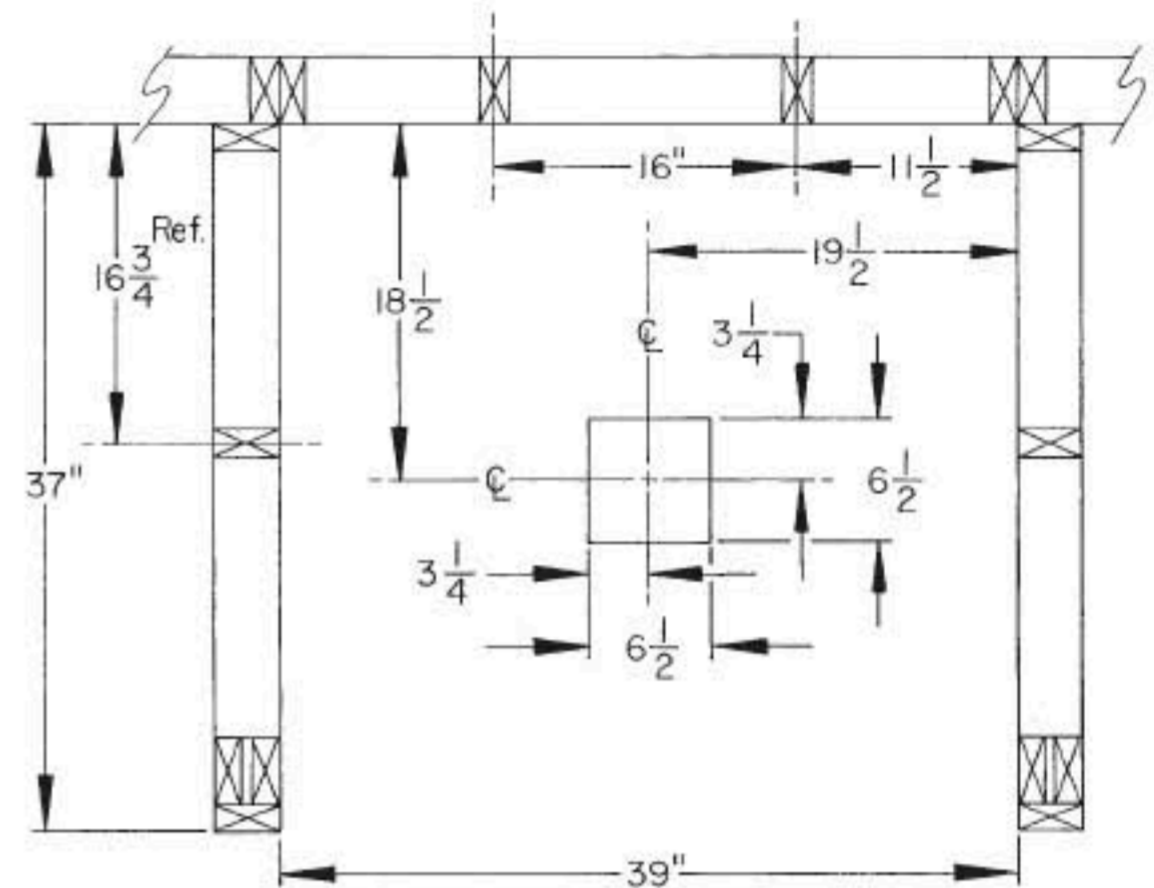
INSTALLATION INSTRUCTIONS

ROUGH-IN DIMENSIONS

ADA
DESIGNED
PRODUCT



TYPICAL ALCOVE FRAMING



NOTE: Add horizontal blocking (not shown) as required for mounting grab bars, seat, etc.

IMPORTANT NOTES:

- We suggest that shower compartments be equipped with support handrails that comply with ANSI-117.1-1986 Consumer Safety requirements
- **DO NOT USE WITH "FREE STANDING SHOWER CABINETS, FOR "BUILT-IN" INSTALLATION ONLY**
- **SHOWER FLOORS ARE NOT TO BE INSTALLED IN FRONT OF DRYWALL!**
- Thoroughly **READ** and **UNDERSTAND** instructions before beginning installation of your MUSTEE Shower Floor

ROUGH-IN PREPARATION

IMPORTANT: "ROUGH-IN" dimensions are provided for reference only! Measure actual Shower Floor and check local building code requirements before constructing alcove.

1. Refer to "ROUGH-IN" dimensions and determine location of Shower Floor.
2. Next, prepare SUB-FLOOR in Shower Floor area as follows:

Wood/Joist Floor:

Sub-floor must be min. 3/4" construction grade sheathing (CDX). Make sure sub-floor is securely fastened to floor joists throughout alcove area with either Decking/Bugle Head screws (2-1/2" min.) or nails (rec. 8d Spiral Flooring Nails). Make sure any "creaking or squeaks" have been eliminated by walking around alcove area before proceeding.

Concrete/Cement Slab Floor:

Prepare surface in alcove area so that floor is level and sound.

3. Provide a 6-1/2" (inch) square opening in sub-floor or slab to accommodate Shower Floor drain body. (Slab installation requires opening to be min. 2-1/2" deep). Opening to be centered about drain centerlines as specified in "ROUGH-IN" dimensions. Drain connection requires 2" (inch) DWV pipe. Top of drain pipe should be 1/2" below top of sub-floor or slab.
4. Finally, we recommend that Shower Floor be installed on a bed of 30 lb. roofing felt or equivalent to compensate for any inconsistencies in sub-floor or slab. (Gypsum cement or panel/floor adhesive could also be used for this purpose.)

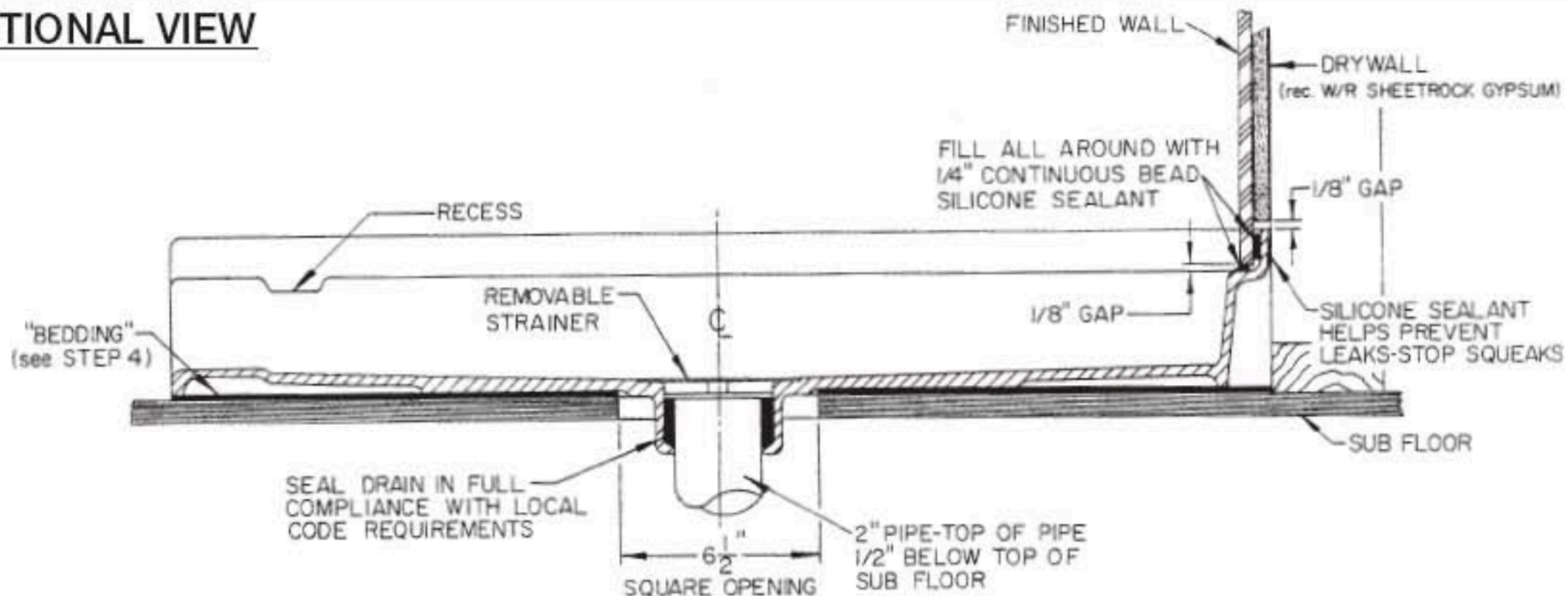
SHOWER FLOOR INSTALLATION

- Check Shower Floor carefully making sure it is not damaged.
- Set Shower Floor into place. Level Shower Floor in both directions. **NOTE:** Place level along top edge of tile flanges – *do not use floor area which is tapered for water drainage!*
- Apply a lubricant of some type (liquid soap or silicone sealant works well) to the inside and outside of the Drain Seal prior to installation. Place Drain Seal over pipe and tamp into place using a hammer and -1/4" (inch) diameter blunt rod or dowel. (HINT: A 1/4" dia. bolt approx. 6" long works well as a tamping tool.) Make sure top of Drain Seal is even with top of 2" (inch) waste pipe and in full compliance with local code requirements pertaining to below floor waste connections. (See DRAIN DETAIL)
- Snap Strainer into place.

CARE & CLEANING

The surface of your Molded Fiberglass Shower floor may be cleaned with a mild soap solution in warm water using a soft cloth. For stubborn stains use "Soft Scrub" by Clorox or Lysol "Tub and Tile Cleaner" or a powdered detergent such as Spic-n-Span. Never use an abrasive scouring powder or steel wool pads as they will dull the surface.

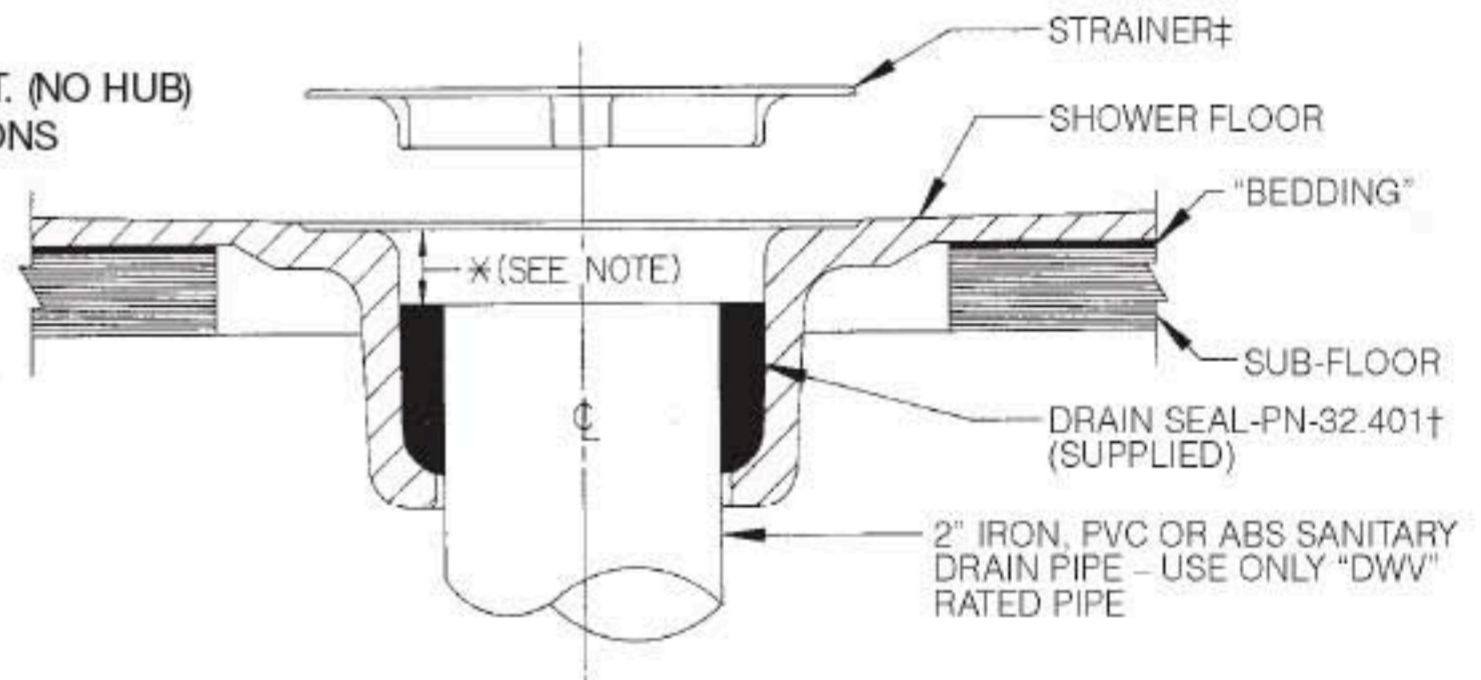
SECTIONAL VIEW



DRAIN DETAIL




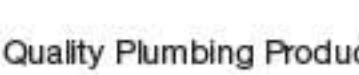
- † Optional **DRAIN SEALS** are available:
 PN.-32.403 - 2" SOIL PIPE/CAST IRON-SERVICE WT. (NO HUB) SANITARY DRAIN/WASTE CONNECTIONS
 PN.-32.404 - 2" COPPER-DWV, TYPE K, L or M
- ‡ Optional **STRAINERS** are available:
 PN.-34.305 - POLISHED BRASS
 PN.-34.301 - POLISHED STAINLESS STEEL
 PN.-42.323 - MOLDED ("BONE")

***NOTE:**
 TO BE SURE THAT DRAIN SEAL IS FULLY SEATED INTO DRAIN BODY - DIMENSION SHOULD BE 1/2" (MIN.) SEE STEP 7 ABOVE.



ACCESSORIES (ORDER SEPARATELY)

Stainless Steel Grab Bars—Straight and inside corner (L-shape) grab bars are concealed-flange type and made with tough 18-gauge 1-1/2" diameter stainless steel tubing, satin finish.

	Part No.	Size	Type
	390.301	24"	Straight
	390.302	48"	Straight
	390.303	20"x42"	L-shape
	390.304	34"x18"	L-shape

Pull-Down Shower Seats—Strong, durable, white pull-down seats made with 18-gauge stainless steel tubing (satin finish) and comfortably padded with non-corded edges. Choice of sizes for right and left side installations.

Part No.	Size	Type
390.401	26"	Right
390.402	26"	Left
390.403	32"	Right
390.404	32"	Left



Quality Plumbing Products

E.L. MUSTEE & SONS, INC.

5431 West 164th Street • Brook Park, Ohio 44142

SI-198 (09•06)